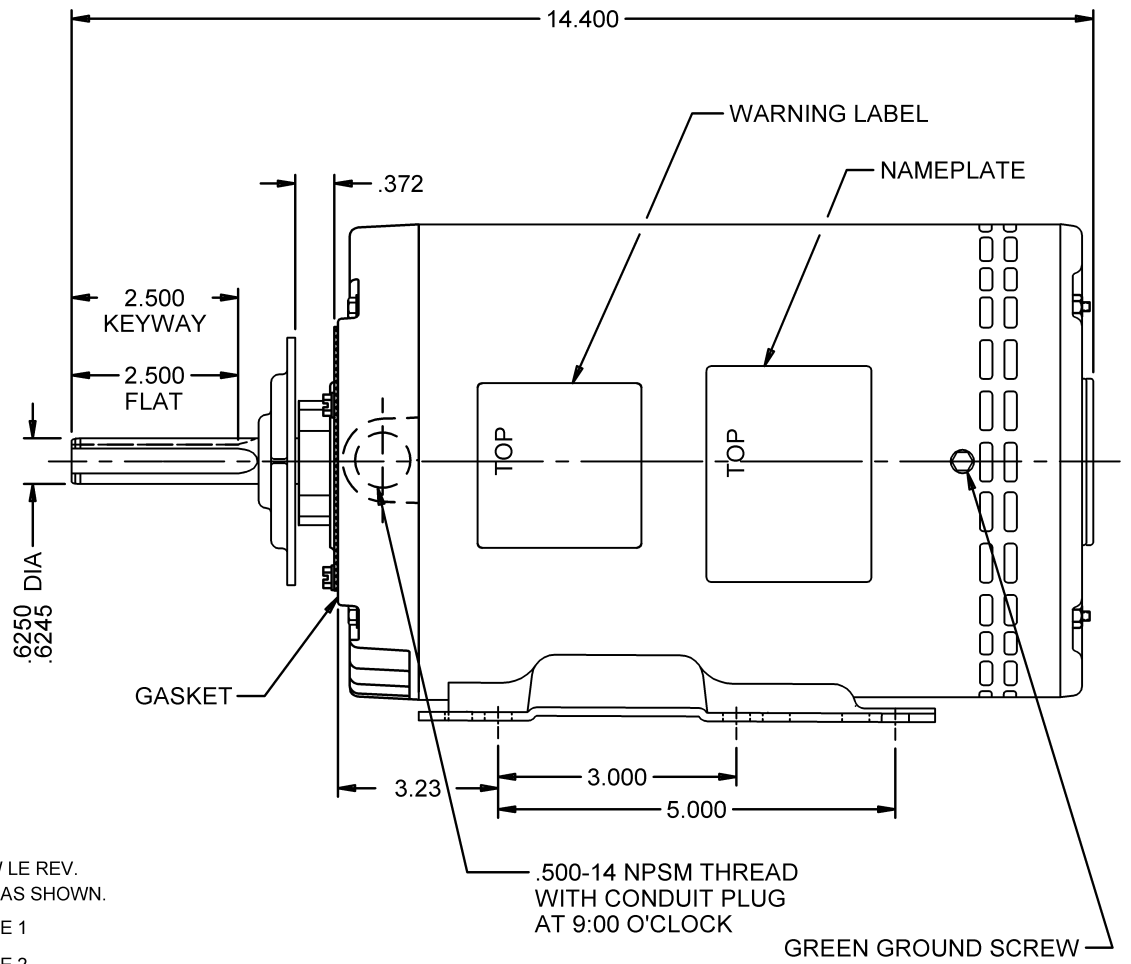


ROTATION: CW LE REV.  
WHEN PHASED AS SHOWN.

L1 -- LINE 1  
L2 -- LINE 2  
L3 -- LINE 3

SHAFT KEY TAPED TO MOTOR



NIDEC MOTOR CORPORATION 28-Jul-14

MODEL	REF	CUSTOMER	HP	VOLTS	AMPS	HZ	RPM	ROTATION	PROTECTOR
P63ZZGCA-4843	A29462-X2	WHOLESALE-HAC	1/2	208-230/460 & 190/380	3.2-3.1/1.6 & 3.5/1.7	60 & 50	575 & 475	REVERSIBLE	AUTO
									CUSTOMER PN
									1139

SHEET NUMBER	REV	REVISION RECORD FOR: D1618-00	
1 OF 1	E	ADDED NOTE	
REVISION DATE			
28-JUL-14			

INFORMATION DISCLOSED ON THIS DOCUMENT IS CONSIDERED PROPRIETARY AND SHALL NOT BE REPRODUCED OR DISCLOSED WITHOUT WRITTEN CONSENT OF NIDEC MOTOR CORPORATION

**NIDEC MOTOR CORPORATION**

ISSUED BY	REVIEWED BY	ENGINEER APPROVED
I. DE LEON	M. GUZMAN	B. GAITAN

TITLE		CODE	ITEM NO.	SIZE
ASSEMBLED VIEW		V01	782164	A