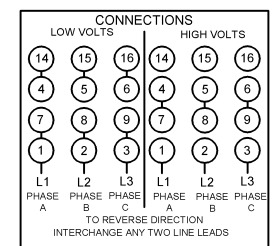
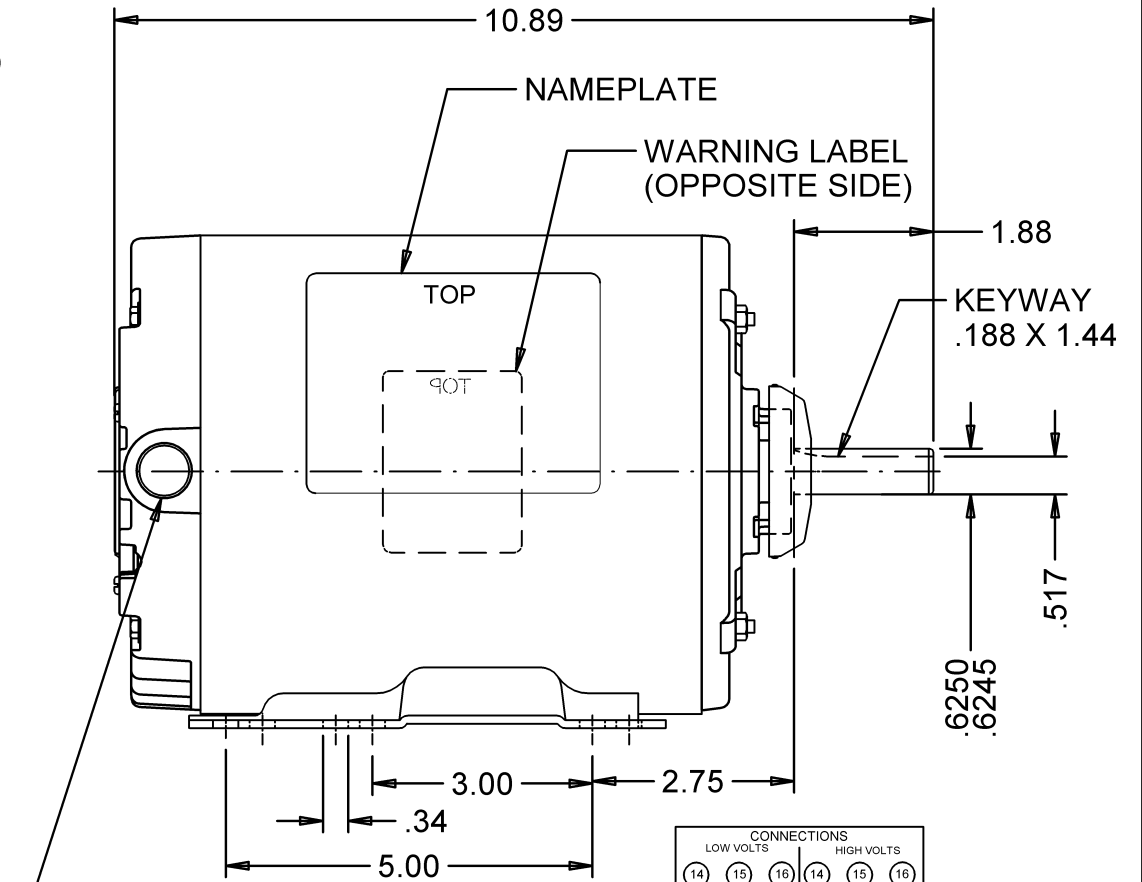


12 LEADS #18, .031 THICK INSUL TO EXTEND BEYOND MOTOR  
 6.000 ±1.000 LEADS TO BE NUMBERED 1 THRU 9 AND 14 THRU 16 AND SKINNED .750. INTERNAL CONNECTION BOX



REV. E

NIDEC MOTOR CORPORATION 23-Jul-13

SHAFT KEY TAPED TO MOTOR

S.F.

MODEL	REF	CUSTOMER	HP	VOLTS	AMPS	HZ	RPM	ROTATION	CUSTOMER PN
P63SYFHH-4791		USEM	1/2	208-230/460 190/380	1.8/0.9	60/50	1725/1425	REVERSIBLE	FD12SA2D

SHEET NUMBER 1 OF 1	REV E	REVISION RECORD FOR: C8067-00	
		CHANGED INSERT OF DIAGRAM OF CONNECTIONS.	
REVISION DATE			
24-JUL-13			
ISSUED BY	REVIEWED BY	ENGINEER APPROVED	
A. SANCHEZ	J. JUAREZ	T. BOSSALLER	

INFORMATION DISCLOSED ON THIS DOCUMENT IS CONSIDERED PROPRIETARY AND SHALL NOT BE REPRODUCED OR DISCLOSED WITHOUT WRITTEN CONSENT OF NIDEC MOTOR CORPORATION

ALL DIMENSIONS ARE FOR REFERENCE ONLY UNLESS TOLERANCE IS GIVEN

TITLE  
**ASSEMBLED VIEW**

**NIDEC MOTOR CORPORATION**

CODE  
V01

ITEM NO.  
779014

SIZE  
A