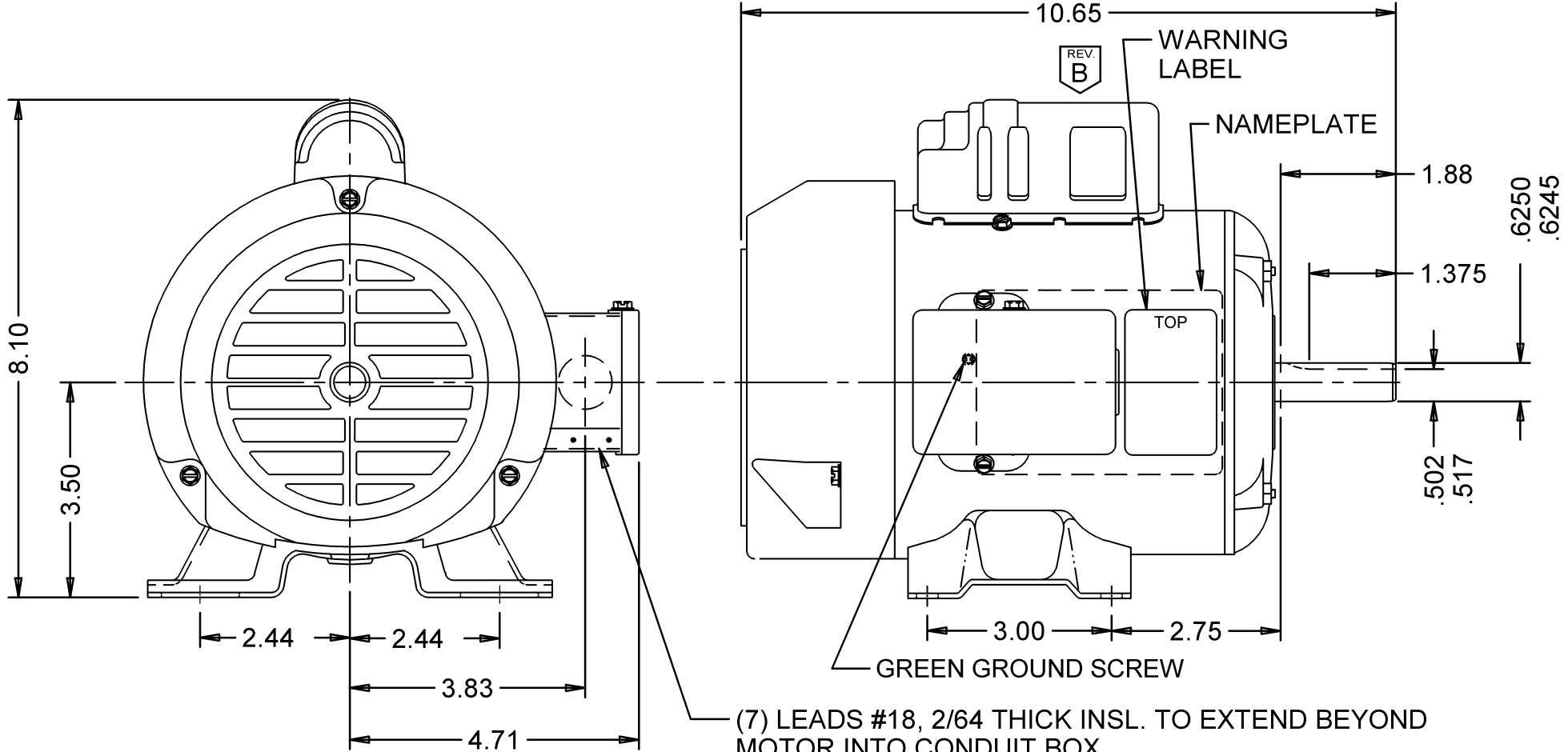


SHAFT KEY TAPED TO MOTOR



(7) LEADS #18, 2/64 THICK INSL. TO EXTEND BEYOND MOTOR INTO CONDUIT BOX
 BLACK=6.000±1.000, RED=6.000±1.000, BROWN=6.000±1.000
 BLUE=6.000±1.000, YELLOW=6.000±1.000
 ORANGE=6.000±1.000, WHITE=6.000±1.000
 LEADS TO BE SKINNED .750±.250

NIDEC MOTOR CORPORATION 15-Nov-11

MODEL	REF	CUSTOMER	HP	VOLTS	AMPS	HZ	RPM	ROTATION	CUSTOMER PN
C55KXKJA-4951		USEM	1/3	115/208-230	6.6/3.0-3.3	60	1725	REVERSIBLE	T13CM2J

SHEET NUMBER	REV	REVISION RECORD FOR: C4689-00
1 OF 1	B	ADDED WARNING LABEL.
REVISION DATE		
15-NOV-11		

INFORMATION DISCLOSED ON THIS DOCUMENT IS CONSIDERED PROPRIETARY AND SHALL NOT BE REPRODUCED OR DISCLOSED WITHOUT WRITTEN CONSENT OF NIDEC MOTOR CORPORATION

NIDEC MOTOR CORPORATION

ALL DIMENSIONS ARE FOR REFERENCE ONLY UNLESS TOLERANCE IS GIVEN

ISSUED BY	REVIEWED BY	ENGINEER APPROVED
B. ANDRADE	B. CAMMACK	B. CAMMACK

TITLE	CODE	ITEM NO.	SIZE
ASSEMBLED VIEW	V01	762865	A