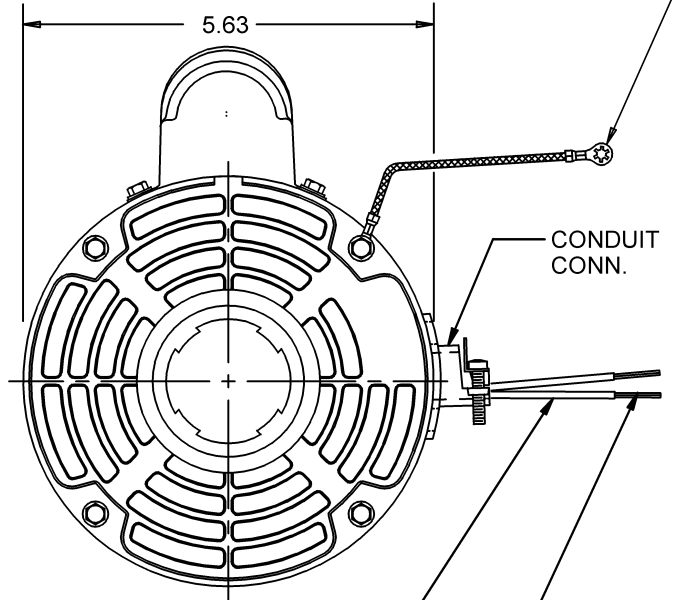
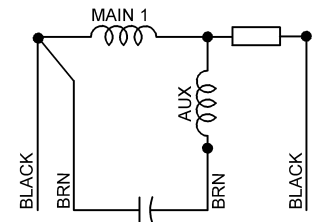
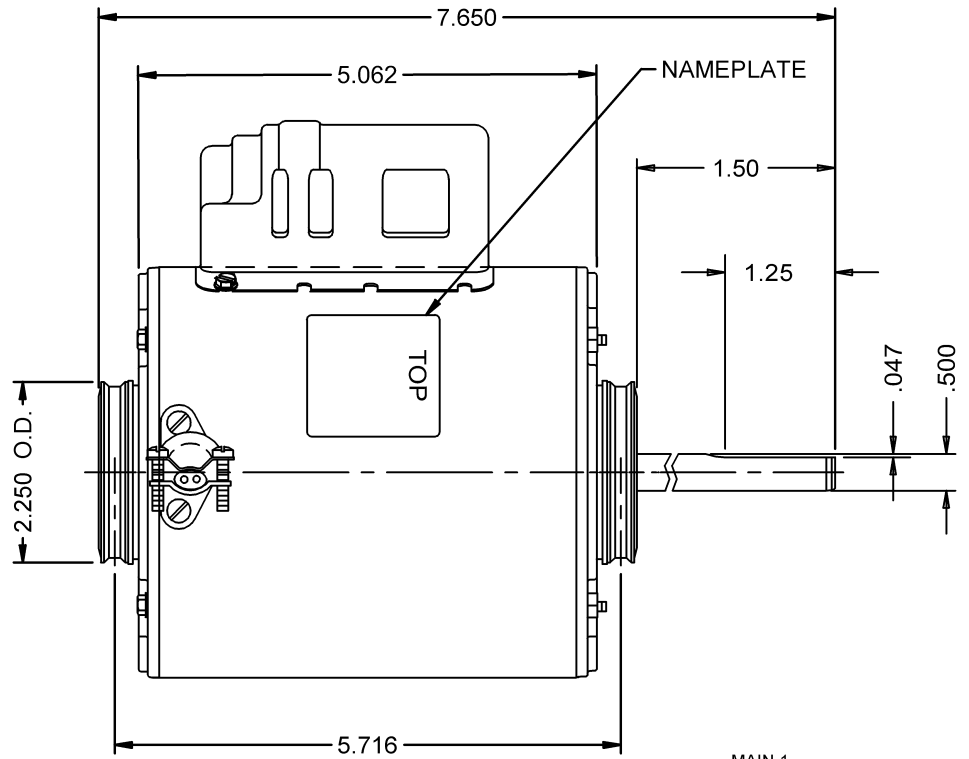


#16 GREEN/YEL GROUND LEAD TO BE 12.00 BETWEEN CENTERS OF TERMS. TERM. TO FIT #10 SCREW.



(2) LEADS TO EXTEND 42.0" BEYOND MOTOR

LEADS SKINNED .75



COLOR CODE
BLK-COMMON
BLACK-LINE
BROWN-CAPACITOR

USE WITH 4.0 MFD
370-VAC CAPACITOR

NIDEC MOTOR CORPORATION 11-Oct-12

MODEL	REF	CUSTOMER	HP	VOLTS	AMPS	HZ	RPM	BEARING	PROTECTOR
K55HXTTG-0022	A20773	STANDARD	1/4	230	1.4	60	1625	BALL	AUTOMATIC
								ROTATION	CUSTOMER PN
								CCW LE	CAT 3042

SHEET NUMBER	REV	REVISION RECORD FOR: C6405-00	
1 OF 1	C	UPDATED ENGINEER APPROVED TO B. GAITAN	
REVISION DATE			
11-OCT-12			

INFORMATION DISCLOSED ON THIS DOCUMENT IS CONSIDERED PROPRIETARY AND SHALL NOT BE REPRODUCED OR DISCLOSED WITHOUT WRITTEN CONSENT OF NIDEC MOTOR CORPORATION

NIDEC MOTOR CORPORATION

ISSUED BY	REVIEWED BY	ENGINEER APPROVED	REV
R. MORALES	M. LARGENT	B. GAITAN	C

TITLE	CODE	ITEM NO.	SIZE
ASSEMBLED VIEW	V01	756818	A