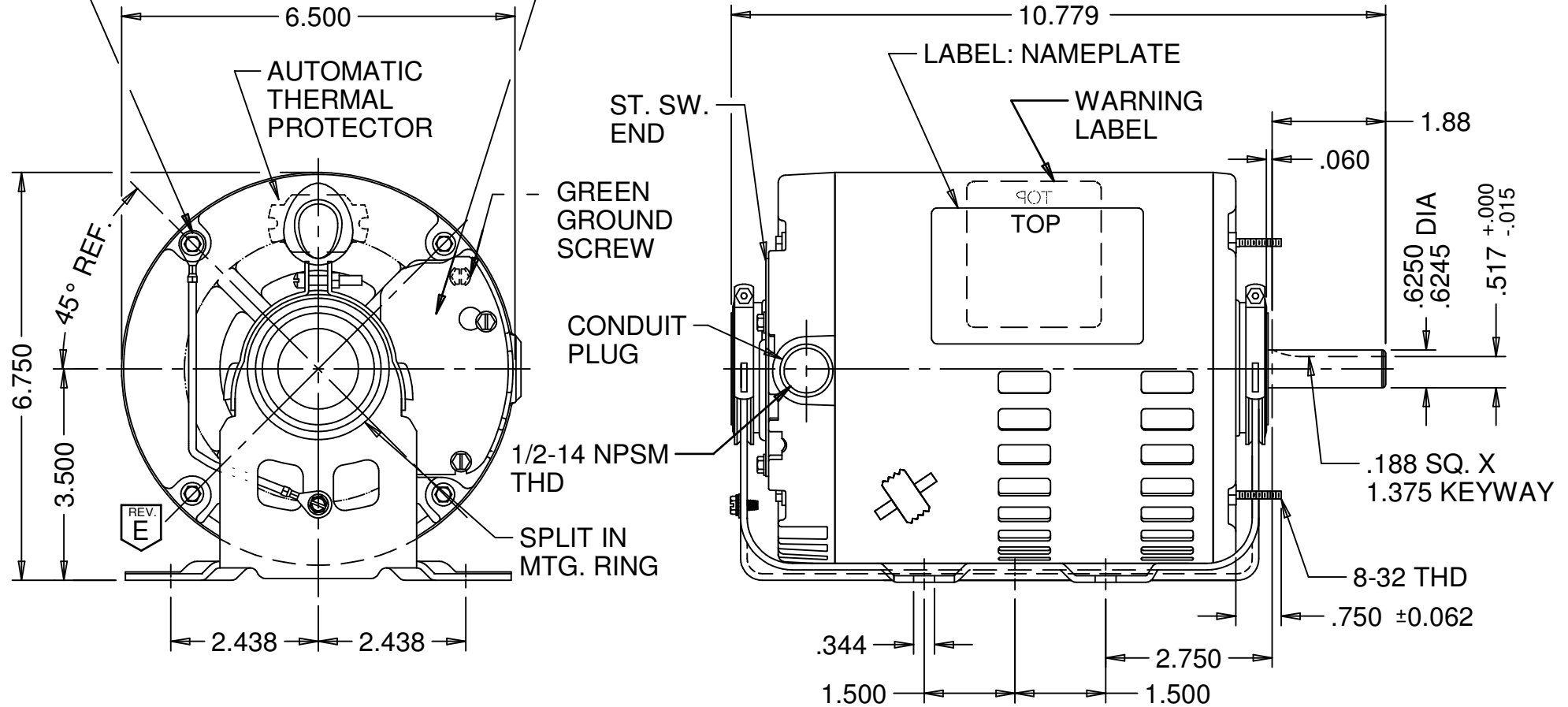


SHAFT KEY TAPED TO MOTOR

GROUND LEAD (1): GREEN; 16 AWG; 2/64" (PVC) INSULATION; TO BE 6.000±.250 BETWEEN CENTERS OF TERMS.;#10 RING TERMINATION.

12 LEADS W8C2 LEAD WIRE TO EXTEND 6.000±2.000-1.000 INCHES BEYOND TERMINAL COVER AND TUCKED UNDER TERMINAL COVER. LEADS TO BE SKINNED .750±.125



NIDEC MOTOR CORPORATION 13-Oct-17

MODEL	REF	CUSTOMER	HP	VOLTS	AMPS	HZ	RPM	ROTATION	CUSTOMER PN	
P63PYTWW-4202	M20909	STANDARD	3/4	208-230/460	2.9-2.9/1.5	60	1725	REVERSIBLE	8489	
REVISION RECORD FOR: ECO E29750				INFORMATION DISCLOSED ON THIS DOCUMENT IS CONSIDERED PROPRIETARY AND SHALL NOT BE REPRODUCED OR DISCLOSED WITHOUT WRITTEN CONSENT OF NIDEC MOTOR CORPORATION				NIDEC MOTOR CORPORATION		
SHEET NUMBER	REV	CHANGED VIEW GROUND LEAD TO BEHIND BASE LE.								
1 OF 1	E									
REVISION DATE				ALL DIMENSIONS ARE FOR REFERENCE ONLY UNLESS TOLERANCE IS GIVEN						
17-OCT-17				TITLE			CODE	ITEM NO.	SIZE	
ISSUED BY		REVIEWED BY	ENGINEER APPROVED	ASSEMBLED VIEW			V01	756387	A	
C. LUGO		F. FLORES	B. GAITAN							