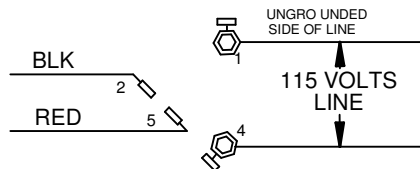


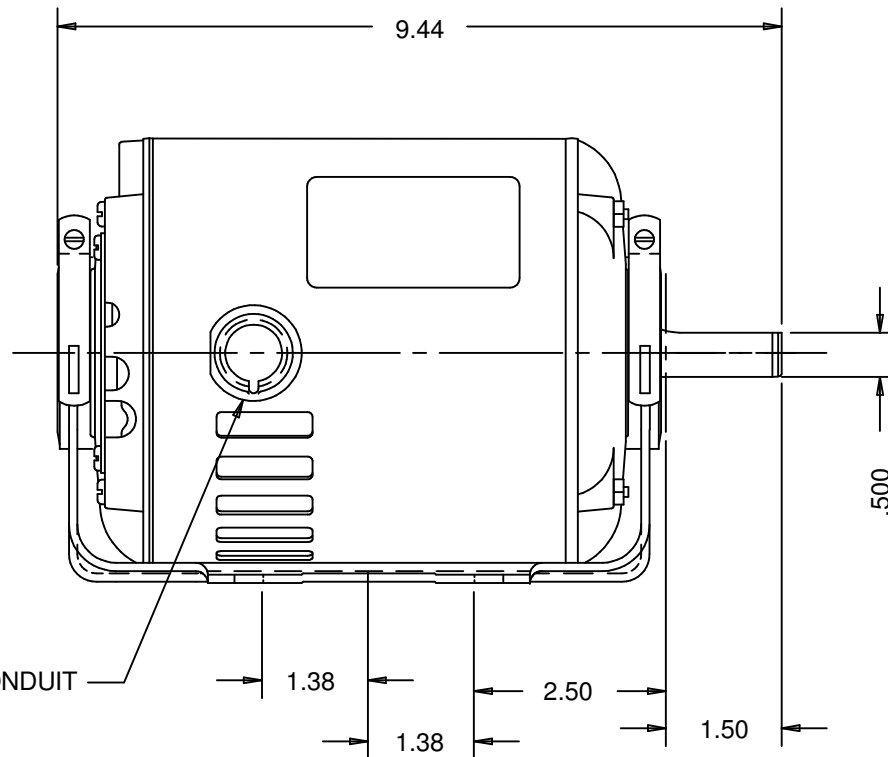
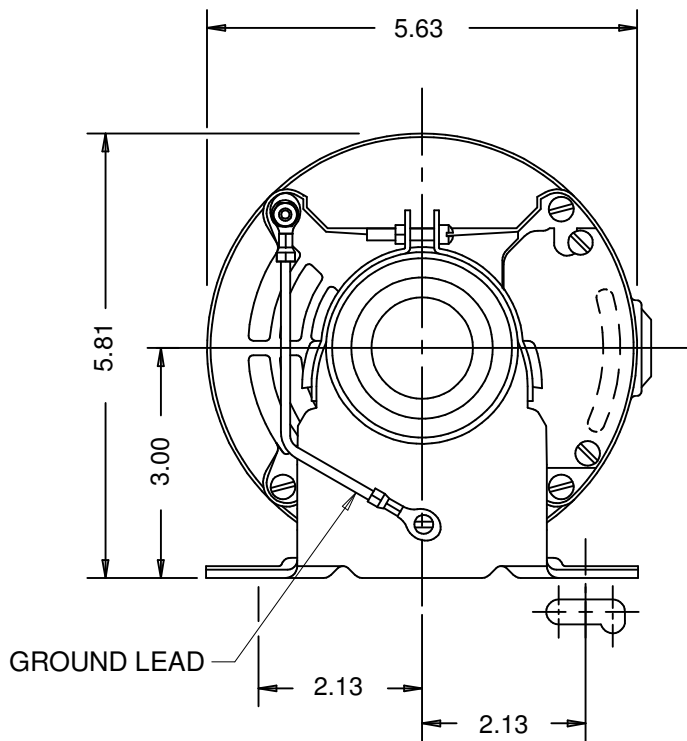
CONNETIONS



TO REVERSE ROTATION
INTERCHANGE RED & BLK LEADS

SUPPLIED DETACHED:
1-5/8 SHAFT ADAPTER
1-SHAFT KEY
1-KIT BAG

REV
E



NIDEC MOTOR CORPORATION 21-Nov-18

BALL BEARING

MODEL	REF	CUSTOMER	HP	VOLTS	AMPS	HZ	RPM	ROTATION	CUSTOMER PN
SA55JXSFB-4866	-	STANDARD	1/3	115	6.4	60	1725	CW LEAD END REV	841CV

SHEET NUMBER	REV	REVISION RECORD FOR: ECO E32680
1 OF 1	E	WAS CHANGED THE NOTE OF (FORM INSTAL. INSTR.) TO (KIT BAG).
REVISION DATE		
21-NOV-18		

INFORMATION DISCLOSED ON THIS DOCUMENT IS CONSIDERED PROPRIETARY AND SHALL NOT BE REPRODUCED OR DISCLOSED WITHOUT WRITTEN CONSENT OF NIDEC MOTOR CORPORATION

NIDEC MOTOR CORPORATION

ALL DIMENSIONS ARE FOR REFERENCE ONLY UNLESS TOLERANCE IS GIVEN

ISSUED BY	REVIEWED BY	ENGINEER APPROVED
G. ISASSI	K. MORT	B. GAITAN

TITLE	CODE	ITEM NO.	SIZE
ASSEMBLED VIEW	V01	752431	A