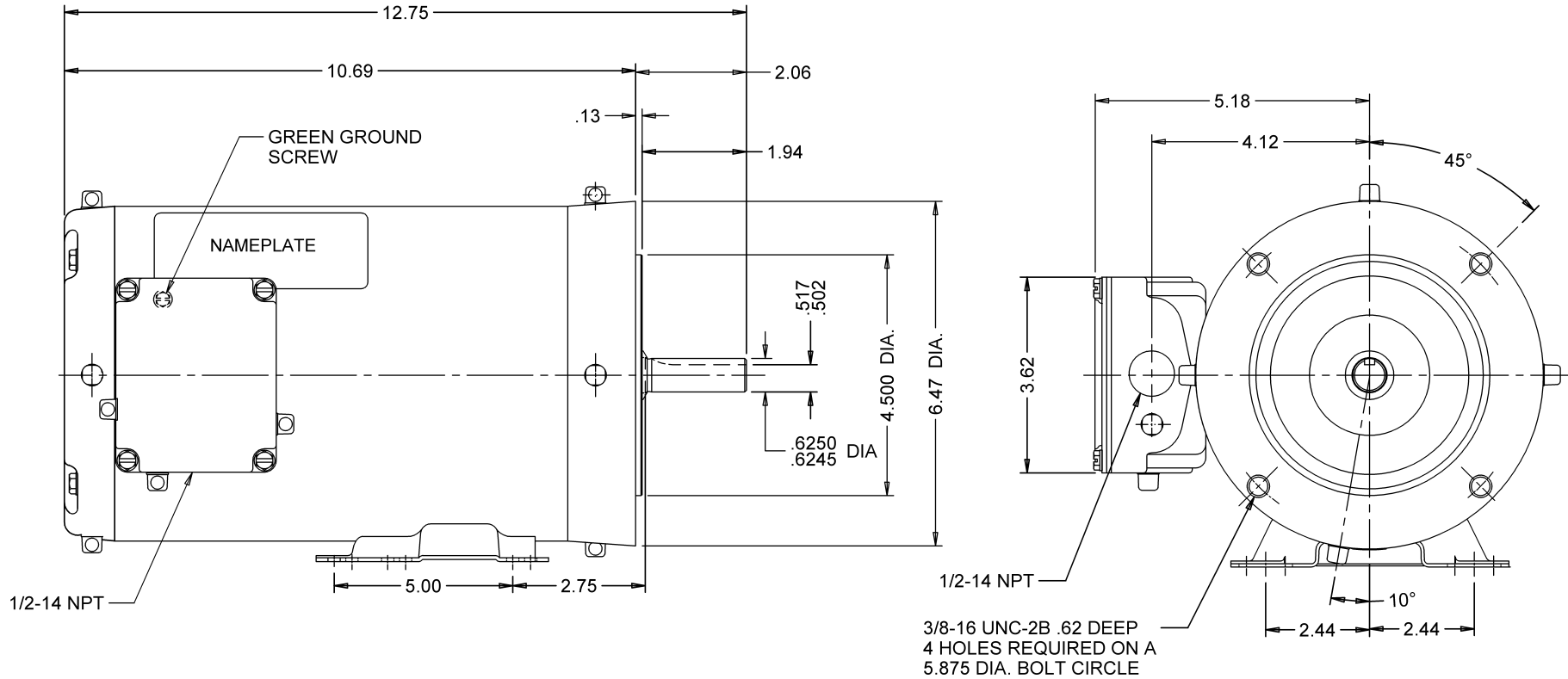


NOTES

- 1.) (12) 1/8-27 STAINLESS STEEL DRAIN PLUGS; 4 IN C-FACE  
4 IN OPPOSITE SHAFT END ENDSHIELD AND 3 IN CONDUIT BOX.
- 2.) 303 STAINLESS STEEL SHAFT KEY TAPED TO MOTOR.



BALL

MODEL	REF	CUSTOMER	HP	VOLTS	AMPS	HZ	RPM	ROTATION	CUSTOMER PN	
P63TLC-4006		USEM	1/2	208-230/460	2.0-19/0.9	60	1725	CW/CCW	WDP12S2AHC	
SHEET NUMBER 1 OF 1	REV E	REVISION RECORD FOR: C4997-13			INFORMATION DISCLOSED ON THIS DOCUMENT IS CONSIDERED PROPRIETARY AND SHALL NOT BE REPRODUCED OR DISCLOSED WITHOUT WRITTEN CONSENT OF NIDEC MOTOR CORPORATION				<b>NIDEC MOTOR CORPORATION</b>	
REVISION DATE 15-FEB-12	UPDATED BACKGROUND FROM EMERSON TO NIDEC									
ISSUED BY A. SANCHEZ	REVIEWED BY J.I. SALAZAR	ENGINEER APPROVED J.I. SALAZAR								
ALL DIMENSIONS ARE FOR REFERENCE ONLY UNLESS TOLERANCE IS GIVEN										
TITLE ASSEMBLED VIEW								CODE V01	ITEM NO. 740264	SIZE B



NIDEC MOTOR CORPORATION 15-Feb-12