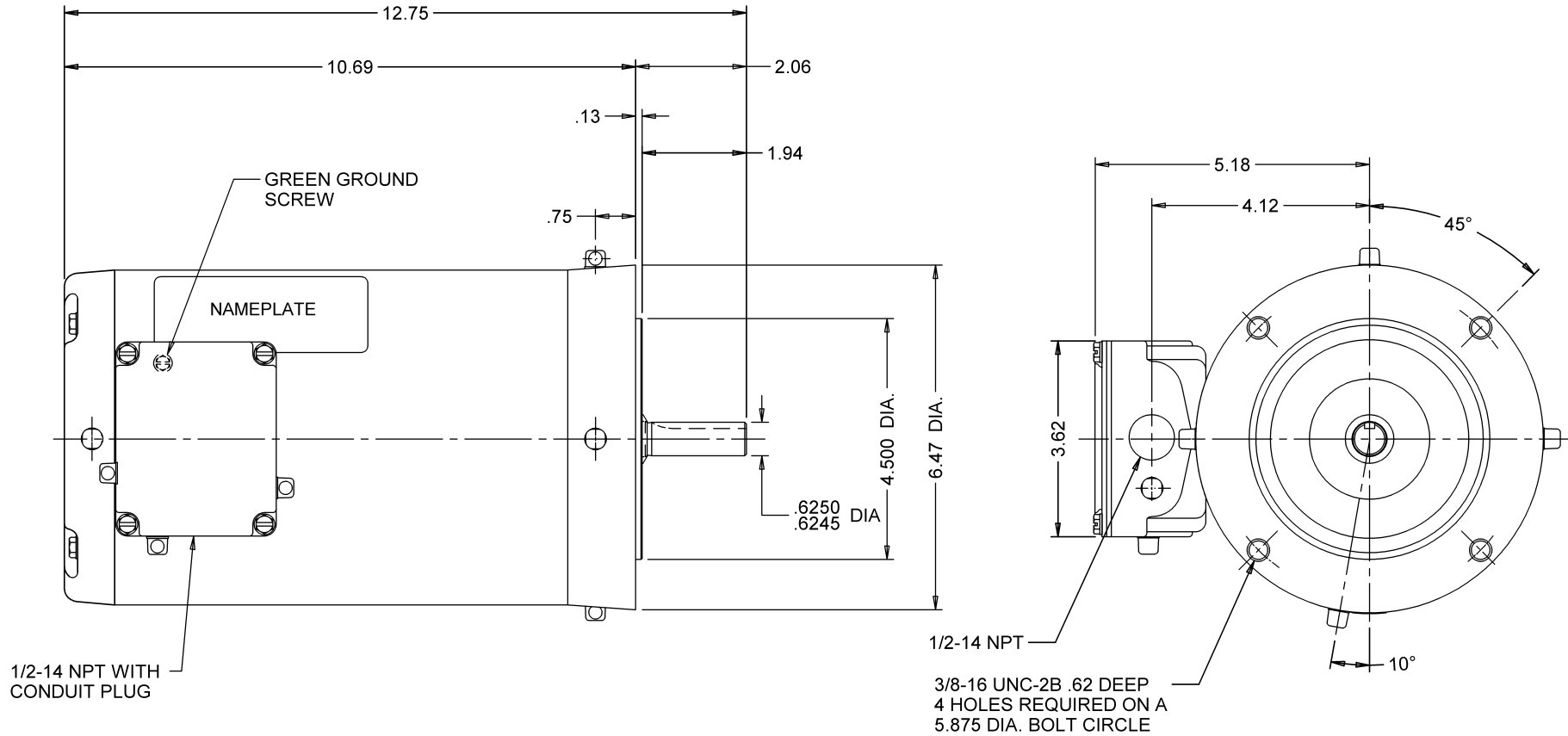


NOTES:

- 1.) (12) 1/8-27 NPT STAINLESS STEEL DRAIN PLUGS; 4 IN C-FACE, 4 IN OPPOSITE SHAFT END ENDSHIELD AND 3 IN CONDUIT BOX.
- 2.) 303 STAINLESS STEEL SHAFT KEY TAPED TO MOTOR.



MODEL	REF	CUSTOMER	HP	VOLTS	AMPS	HZ	RPM	ROTATION	CUSTOMER PN	
P63TLD-4009		USEM	3/4	208-230/460	2.8-2.7/1.3	60	1725	REVERSIBLE	WDP34S2ACR	
SHEET NUMBER 1 OF 1	REV E	REVISION RECORD FOR: C4997-13			INFORMATION DISCLOSED ON THIS DOCUMENT IS CONSIDERED PROPRIETARY AND SHALL NOT BE REPRODUCED OR DISCLOSED WITHOUT WRITTEN CONSENT OF NIDEC MOTOR CORPORATION				<b>NIDEC MOTOR CORPORATION</b>	
REVISION DATE 15-FEB-12	UPDATED BACKGROUND FROM EMERSON TO NIDEC									
ISSUED BY A. SANCHEZ	REVIEWED BY J.I. SALAZAR	ENGINEER APPROVED J.I. SALAZAR								
ALL DIMENSIONS ARE FOR REFERENCE ONLY UNLESS TOLERANCE IS GIVEN										
TITLE <b>ASSEMBLED VIEW</b>								CODE V01	ITEM NO. 740246	SIZE B



NIDEC MOTOR CORPORATION 15-Feb-12