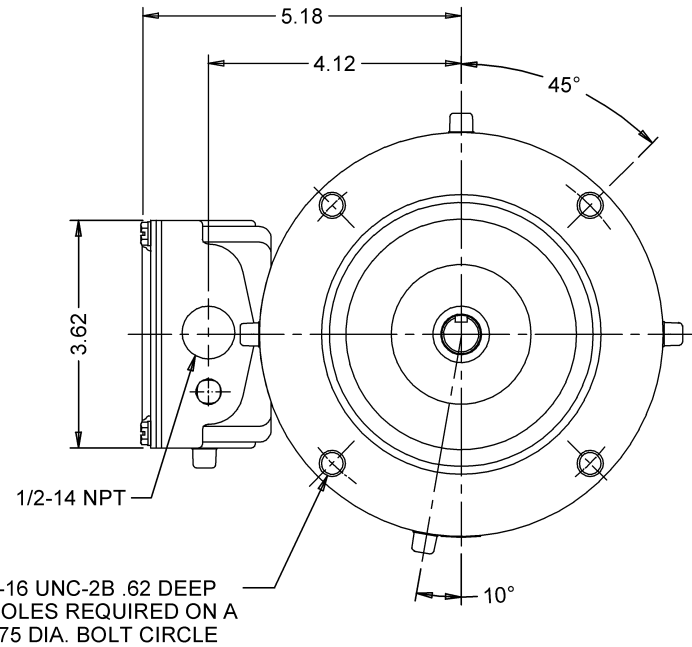
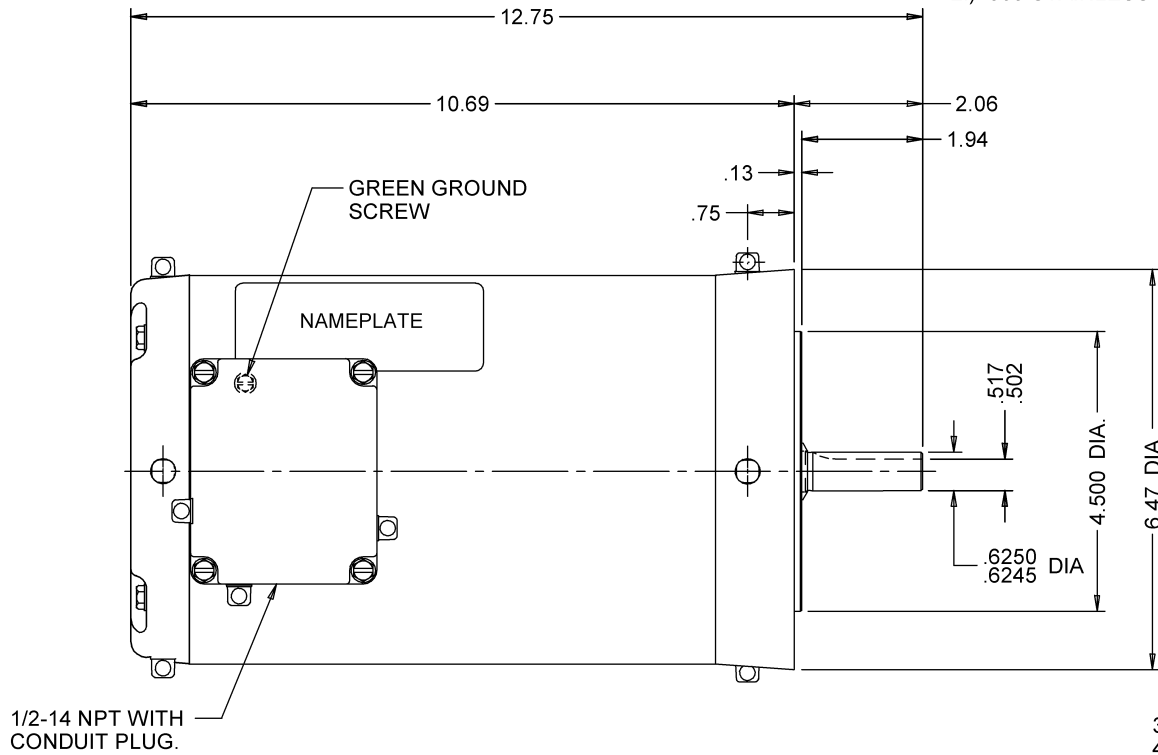


NOTES:

- 1.) (12) 1/8-27 NPT STAINLESS STEEL DRAIN PLUGS; 4 IN C-FACE
4 IN OPPOSITE SHAFT END ENDSHIELD AND 3 IN CONDUIT BOX.
- 2.) 303 STAINLESS STEEL SHAFT KEY TAPED TO MOTOR.



MODEL	REF	CUSTOMER	HP	VOLTS	AMPS	HZ	RPM	ROTATION	CUSTOMER PN	
P63TLC-4007		USEM	1/2	208-230/460	2.0-1.9/0.9	60	1725	REVERSIBLE	WDP12S2ACR	
SHEET NUMBER 1 OF 1	REV E	REVISION RECORD FOR: C4997-13			INFORMATION DISCLOSED ON THIS DOCUMENT IS CONSIDERED PROPRIETARY AND SHALL NOT BE REPRODUCED OR DISCLOSED WITHOUT WRITTEN CONSENT OF NIDEC MOTOR CORPORATION				NIDEC MOTOR CORPORATION	
REVISION DATE	UPDATED BACKGROUND FROM EMERSON TO NIDEC									
15-FEB-12										
ALL DIMENSIONS ARE FOR REFERENCE ONLY UNLESS TOLERANCE IS GIVEN										
ISSUED BY A. SANCHEZ		REVIEWED BY J.I. SALAZAR		ENGINEER APPROVED J.I. SALAZAR		TITLE ASSEMBLED VIEW		CODE V01	ITEM NO. 740224	SIZE B



NIDEC MOTOR CORPORATION 15-Feb-12