

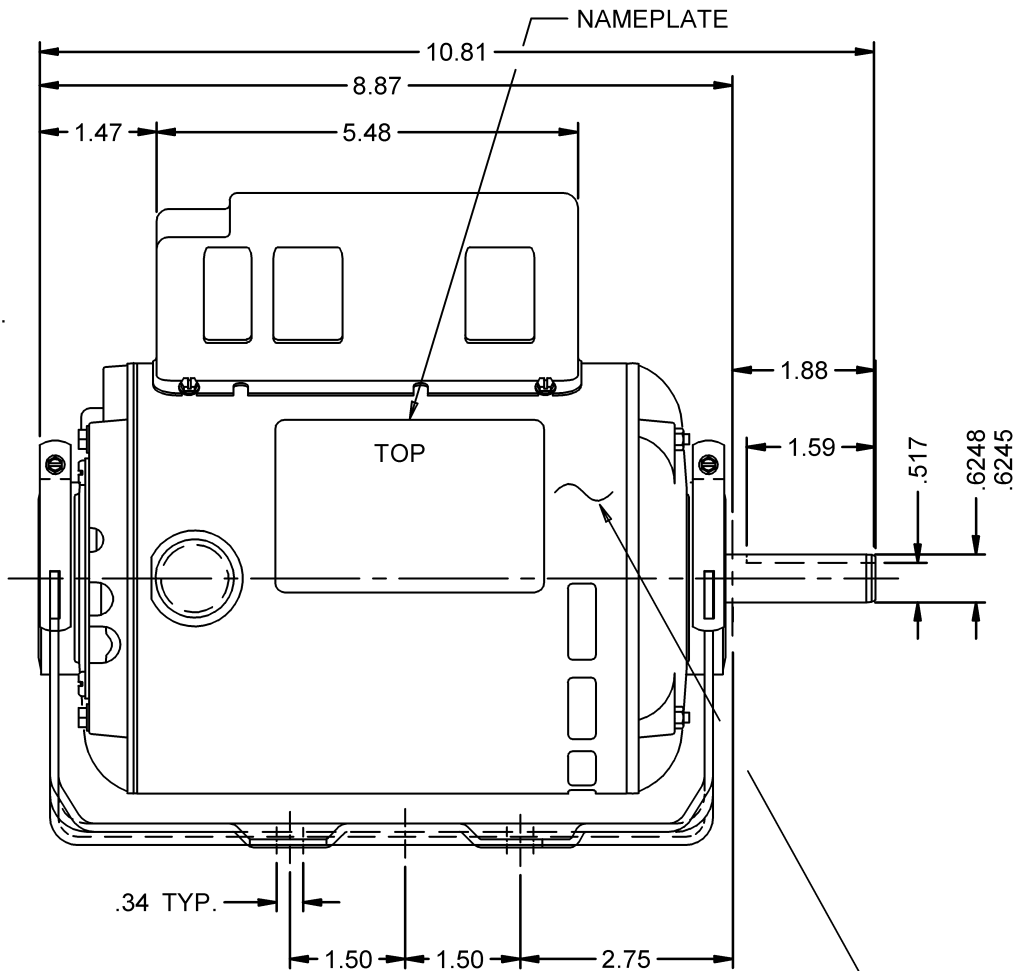
MANUAL
RESET
PROTECTOR

3 Q.C. TERMS.

GREEN
GROUND
SCREW

COND.
HOLE
PLUG

MOTOR TO
BASE GROUND



.188 SQ. X1.500 KEY
TAPED TO SIDE OF MOTOR

ROTATION CW
LEADS END
L1 — 4
L2 — 1

ROTATION CCW
LEADS END
L1 — 4
L2 — 2

REV
C

NIDEC MOTOR CORPORATION 20-Apr-12

MODEL	REF	CUSTOMER	HP	VOLTS	AMPS	HZ	RPM	ROTATION	CUSTOMER PN
K55KXGDW-8143		USEM	1/2	115	5.0/5.7	60/50	1625/1325	REVERSIBLE	D12ARM2N9

SHEET NUMBER	REV	REVISION DATE
1 OF 1	C	20-APR-12

REVISION RECORD FOR: C5343-13

UPDATED BACKGROUND TO NIDEC.

INFORMATION DISCLOSED ON THIS DOCUMENT IS CONSIDERED PROPRIETARY AND SHALL NOT BE REPRODUCED OR DISCLOSED WITHOUT WRITTEN CONSENT OF NIDEC MOTOR CORPORATION

ALL DIMENSIONS ARE FOR REFERENCE ONLY UNLESS TOLERANCE IS GIVEN

NIDEC MOTOR CORPORATION

TITLE: ASSEMBLED VIEW

CODE: V01

ITEM NO.: 338938

SIZE: A

ISSUED BY	REVIEWED BY	ENGINEER APPROVED
B. ANDRADE	J. I. SALAZAR	J. I. SALAZAR