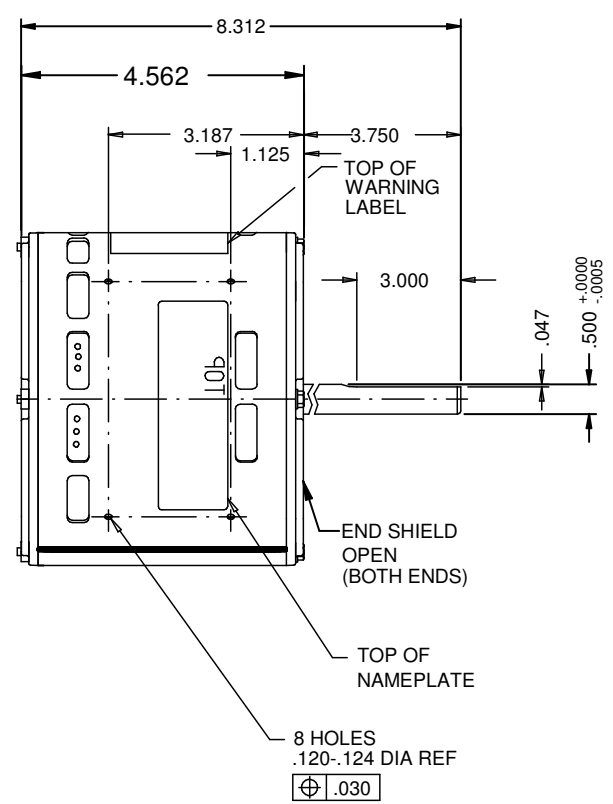


(6) #18 LEADS .062 THICK INSUL TO EXTEND BEYOND MOTOR:
 (2)BRN=11.000 +1-1, BLK=18.000 +1-1,
 BLU=18.000 +1-1, WHT=18.000 +1-1,
 RED=18.000 +1-1.

(6) .250 FLAG TYPE Q.C. TERMS WITH INSUL. GRIPS



REV. B

NIDEC MOTOR CORPORATION 13-Nov-12

BEARINGS	CAPACITOR	CATALOG NO.
SLEEVE	7.5 MFD 370 V	5451

MODEL	REF	CUSTOMER	HP	VOLTS	AMPS	HZ	RPM	ROTATION	CUSTOMER PN
K055HXSSN-7207	-	WHOLESALE	1/2	115	6.8	60	1075/3 SPD	CCW LEAD END REV	

SHEET NUMBER	REV	REVISION RECORD FOR: C6473-00
1 OF 1	B	UPDATED BACKGROUND TO NIDEC
REVISION DATE		
13-NOV-12		

INFORMATION DISCLOSED ON THIS DOCUMENT IS CONSIDERED PROPRIETARY AND SHALL NOT BE REPRODUCED OR DISCLOSED WITHOUT WRITTEN CONSENT OF NIDEC MOTOR CORPORATION

NIDEC MOTOR CORPORATION

ALL DIMENSIONS ARE FOR REFERENCE ONLY UNLESS TOLERANCE IS GIVEN

ISSUED BY	REVIEWED BY	ENGINEER APPROVED
R. MORALES	J.I. SALAZAR	B. GAITAN

TITLE	CODE	ITEM NO.	SIZE
ASSEMBLED VIEW	V01	319691	A

V01_NMCA (MAR-2011)

SOLIDEDGE