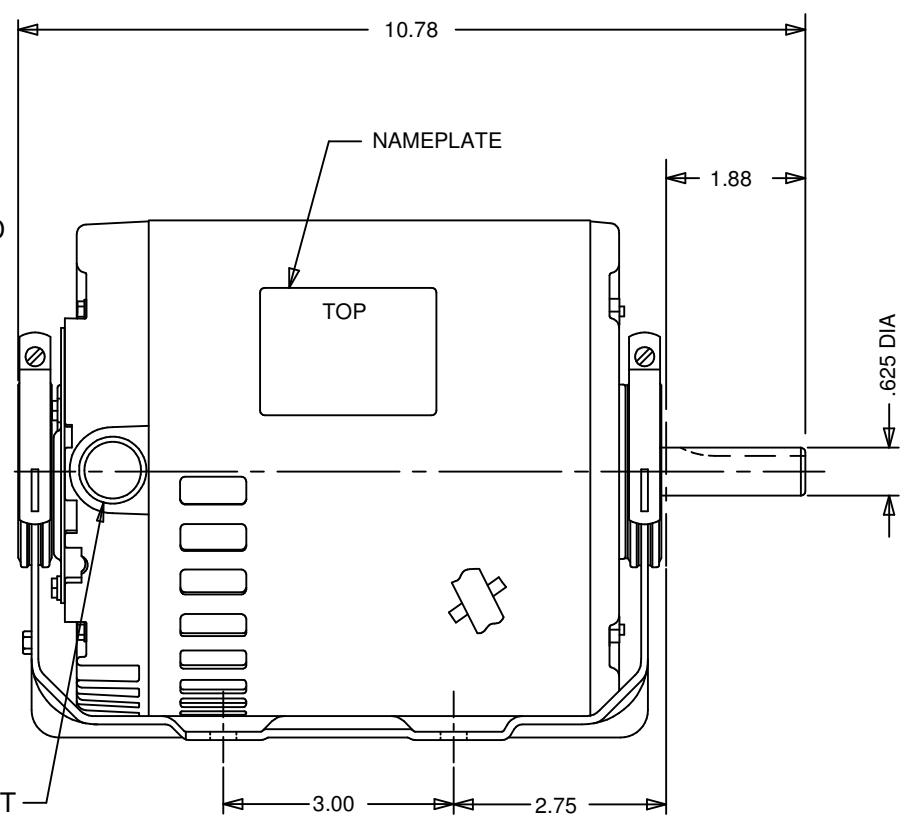
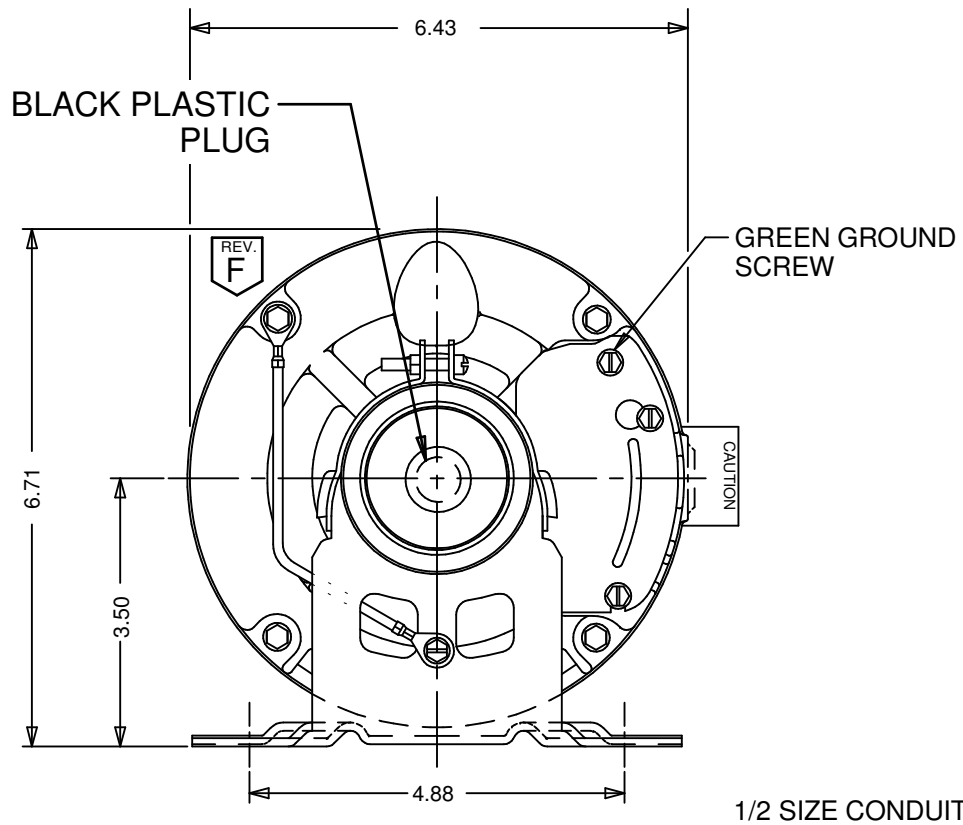


.19 SQ. SHAFT KEY



NIDEC MOTOR CORPORATION 20-Oct-17

MODEL	REF	CUSTOMER	HP	VOLTS	AMPS	HZ	RPM	ROTATION	CUSTOMER PN
S63CXSSJ-7733	-	STANDARD	1/2	115	9.2/6.0	60	1725/1140	CCW LEAD END REV	4293

SHEET NUMBER	REV	REVISION RECORD FOR:
1 OF 1	F	ECO E29754
		CHANGED VIEW OF GROUND LEAD BEHIND OF THE BASE LEAD END.
REVISION DATE		
21-OCT-17		

INFORMATION DISCLOSED ON THIS DOCUMENT IS CONSIDERED PROPRIETARY AND SHALL NOT BE REPRODUCED OR DISCLOSED WITHOUT WRITTEN CONSENT OF NIDEC MOTOR CORPORATION

NIDEC MOTOR CORPORATION

ALL DIMENSIONS ARE FOR REFERENCE ONLY UNLESS TOLERANCE IS GIVEN

ISSUED BY	REVIEWED BY	ENGINEER APPROVED
C. LUGO	F. FLORES	B. GAITAN

TITLE	CODE	ITEM NO.	SIZE
ASSEMBLED VIEW	V01	304360	A