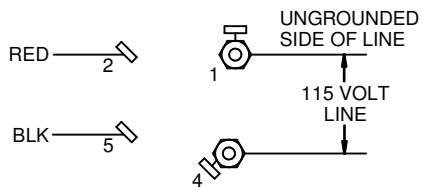
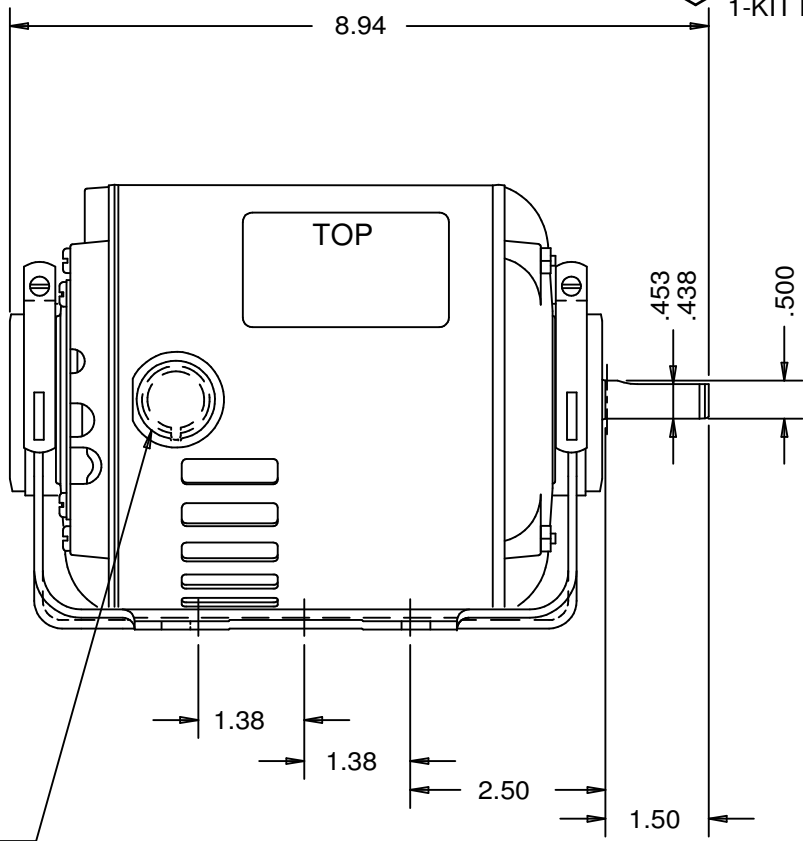
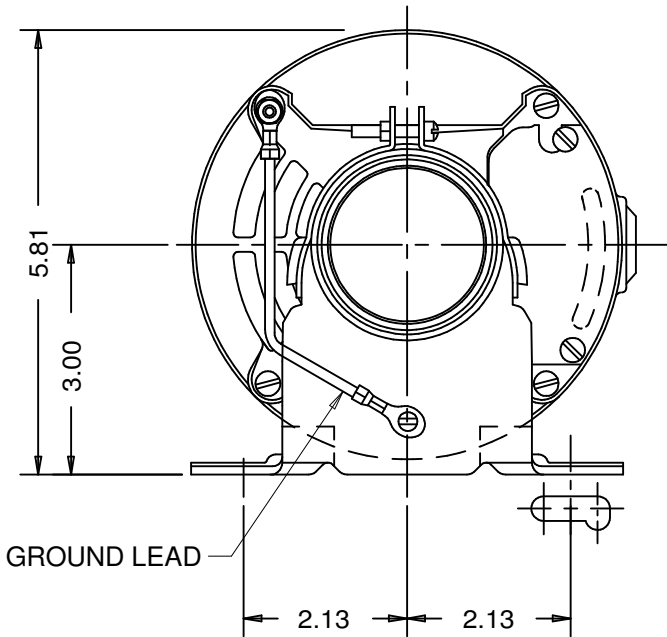


CONNECTIONS



TO REVERSE ROTATION  
SWITCH RED & BLK LEADS

SUPPLIED DETACHED:  
1-5/8 SHAFT ADAPTER  
1-SHAFT KEY  
1-KIT BAG



NIDEC MOTOR CORPORATION 20-Nov-18

**BALL BEARING**

MODEL	REF	CUSTOMER	HP	VOLTS	AMPS	HZ	RPM	ROTATION	CUSTOMER PN
SA55JXSFA-4865	-	STANDARD	1/4	115	5.3	60	1725	CCW LEAD END REV	8000

SHEET NUMBER	REV	REVISION RECORD FOR: ECO E32680
1 OF 1	F	WAS CHANGED THE NOTE OF (FORM INSTAL. INSTR.) TO (KIT BAG).
REVISION DATE		
21-NOV-18		

INFORMATION DISCLOSED ON THIS DOCUMENT IS CONSIDERED PROPRIETARY AND SHALL NOT BE REPRODUCED OR DISCLOSED WITHOUT WRITTEN CONSENT OF NIDEC MOTOR CORPORATION

**NIDEC MOTOR CORPORATION**

ALL DIMENSIONS ARE FOR REFERENCE ONLY UNLESS TOLERANCE IS GIVEN

ISSUED BY	REVIEWED BY	ENGINEER APPROVED
G. ISASSI	K. MORT	T. BOSSALLER

TITLE	CODE	ITEM NO.	SIZE
ASSEMBLED VIEW	V01	254111	A