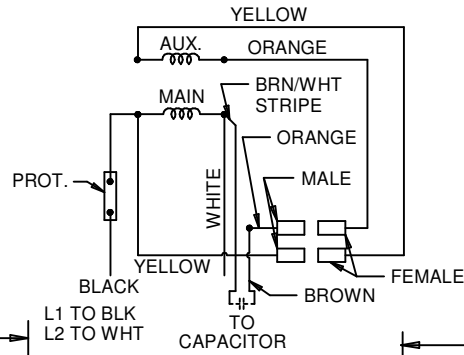
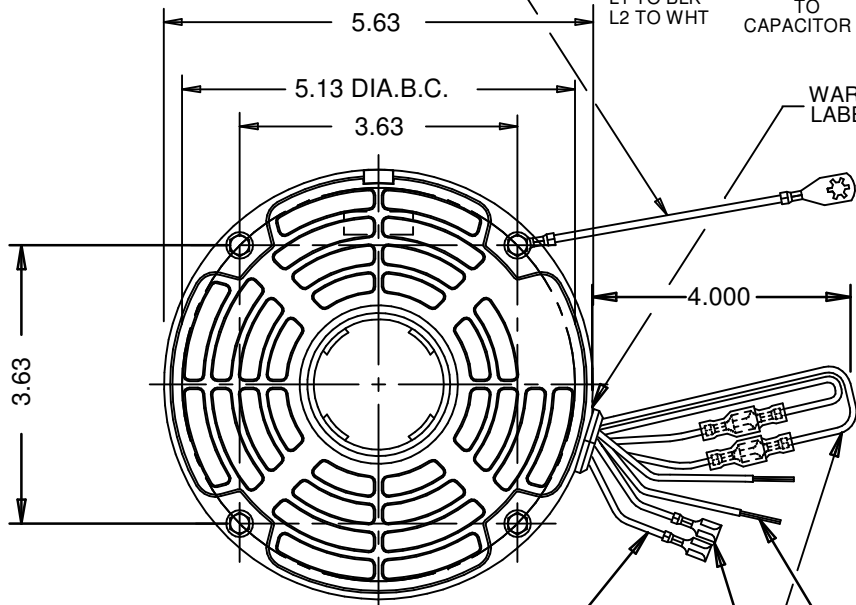


#16 GREEN GROUND LEAD TO BE 12.00 BETWEEN CENTERS OF TERMS. TERM. TO FIT #10 SCREW

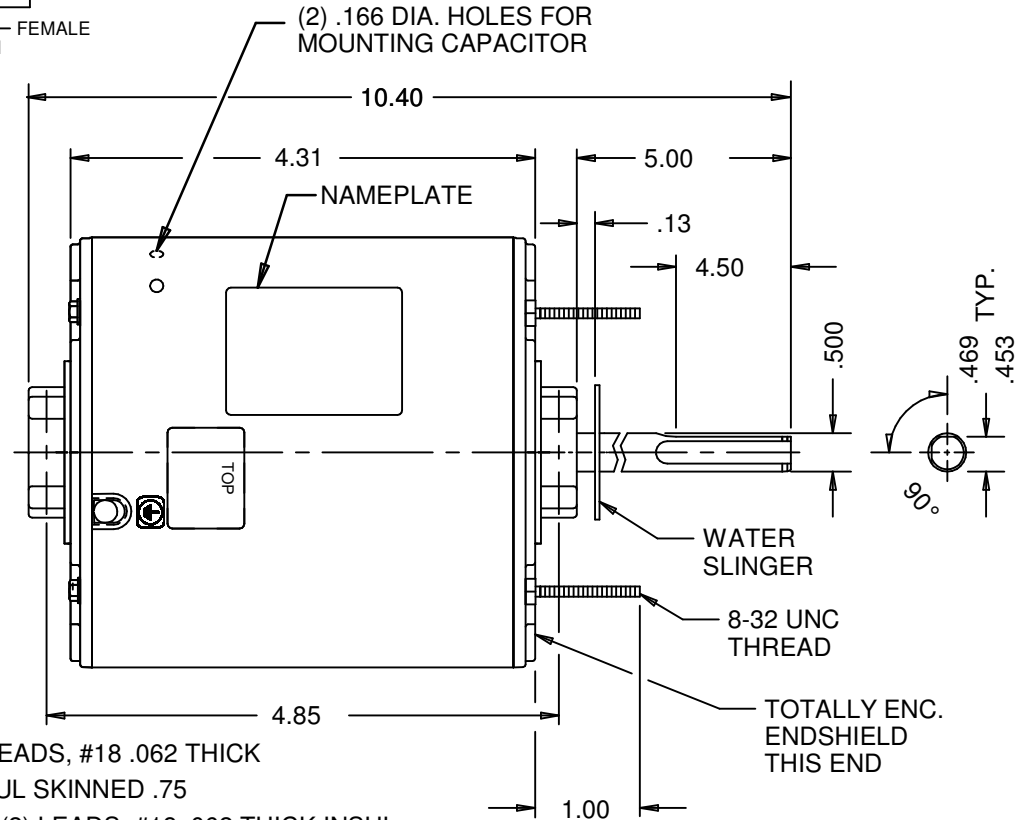


ROTATION IS C.CW VIEWING LEAD END WITH ORG. TO ORG. & YEL. TO YEL. TO REVERSE ROTATION INTERCHANGE ORG. & YEL. LEADS



4 LEADS TO EXTEND 30.00 BEYOND MOTOR LEADS TO BE PROTECTED WITH A GROMMET

(4) LEADS, (2) YELLOW & (2) ORANGE #18, .032 THICK INSUL FOR REVERSING ROTATION



(2) LEADS, #18 .062 THICK INSUL SKINNED .75

(2) LEADS, #18 .062 THICK INSUL WITH .25 STRAIGHT TYPE QC TERMS WITH INSUL GRIP

USE WITH 5.0 MFD 370-VAC CAPACITOR

NIDEC MOTOR CORPORATION 20-May-14

MODEL	REF	CUSTOMER	HP	VOLTS	AMPS	HZ	RPM	ROTATION	CUSTOMER PN
KA55HXSMJ-1776		STANDARD	1/3	208-230	2.5-2.2	60	1075	CCW LEAD END REV	6880

SHEET NUMBER	REV	REVISION RECORD FOR: D1130-04	
1 OF 1	D	ADDED THE GROUND LABEL.	
REVISION DATE			
20-MAY-14			

INFORMATION DISCLOSED ON THIS DOCUMENT IS CONSIDERED PROPRIETARY AND SHALL NOT BE REPRODUCED OR DISCLOSED WITHOUT WRITTEN CONSENT OF NIDEC MOTOR CORPORATION

ALL DIMENSIONS ARE FOR REFERENCE ONLY UNLESS TOLERANCE IS GIVEN

NIDEC MOTOR CORPORATION

ISSUED BY	REVIEWED BY	ENGINEER APPROVED
E.GARCIA	J. DE LOS SANTOS	J. DE LOS SANTOS

TITLE	CODE	ITEM NO.	SIZE
ASSEMBLED VIEW	V01	252456	A