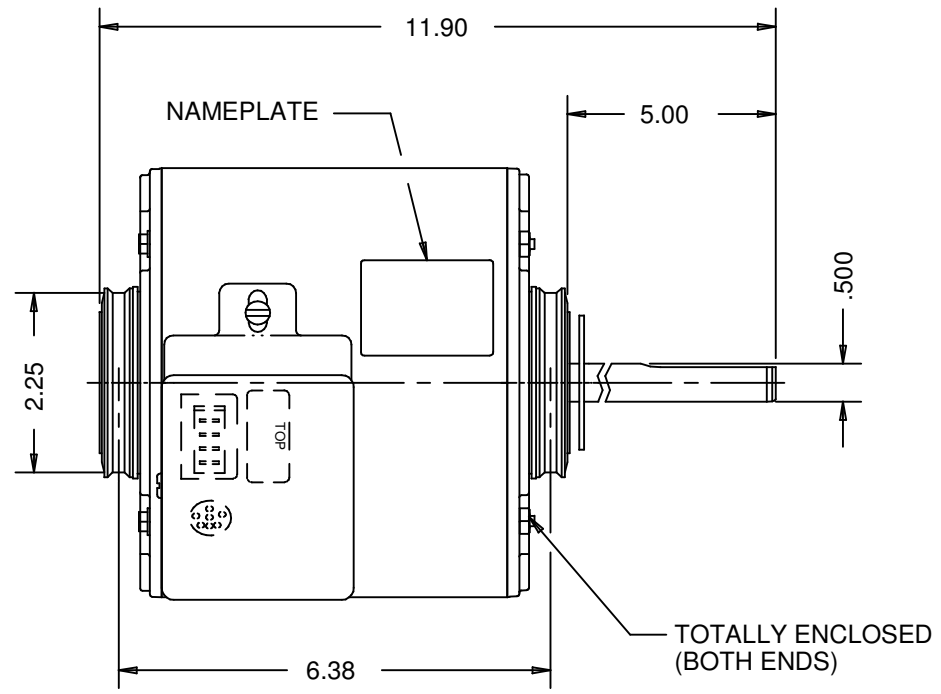


CAPACITOR SUPPLIED WITH MOTOR



NIDEC MOTOR CORPORATION 12-Oct-12

MODEL	REF	CUSTOMER	HP	VOLTS	AMPS	HZ	CAT. NO.	CAPACITOR	PROTECTOR
K55HXSFE-1005		STANDARD	1/2	208-230/460	2.8/1.4	60	K7475	10 MFD-370 VAC	AUTOMATIC
							RPM	ROTATION	CUSTOMER PN
							1075	CCW LE REV	

SHEET NUMBER 1 OF 1	REV	REVISION RECORD FOR: C6404-00	
	C	UPDATED ENGINEER APPROVED TO B. GAITAN	
REVISION DATE			
12-OCT-12			

INFORMATION DISCLOSED ON THIS DOCUMENT IS CONSIDERED PROPRIETARY AND SHALL NOT BE REPRODUCED OR DISCLOSED WITHOUT WRITTEN CONSENT OF NIDEC MOTOR CORPORATION

**NIDEC MOTOR CORPORATION**

ALL DIMENSIONS ARE FOR REFERENCE ONLY UNLESS TOLERANCE IS GIVEN

ISSUED BY	REVIEWED BY	ENGINEER APPROVED	REV.	TITLE	CODE	ITEM NO.	SIZE
R. MORALES	M. LARGENT	B. GAITAN	C	ASSEMBLED VIEW	V01	243767	A