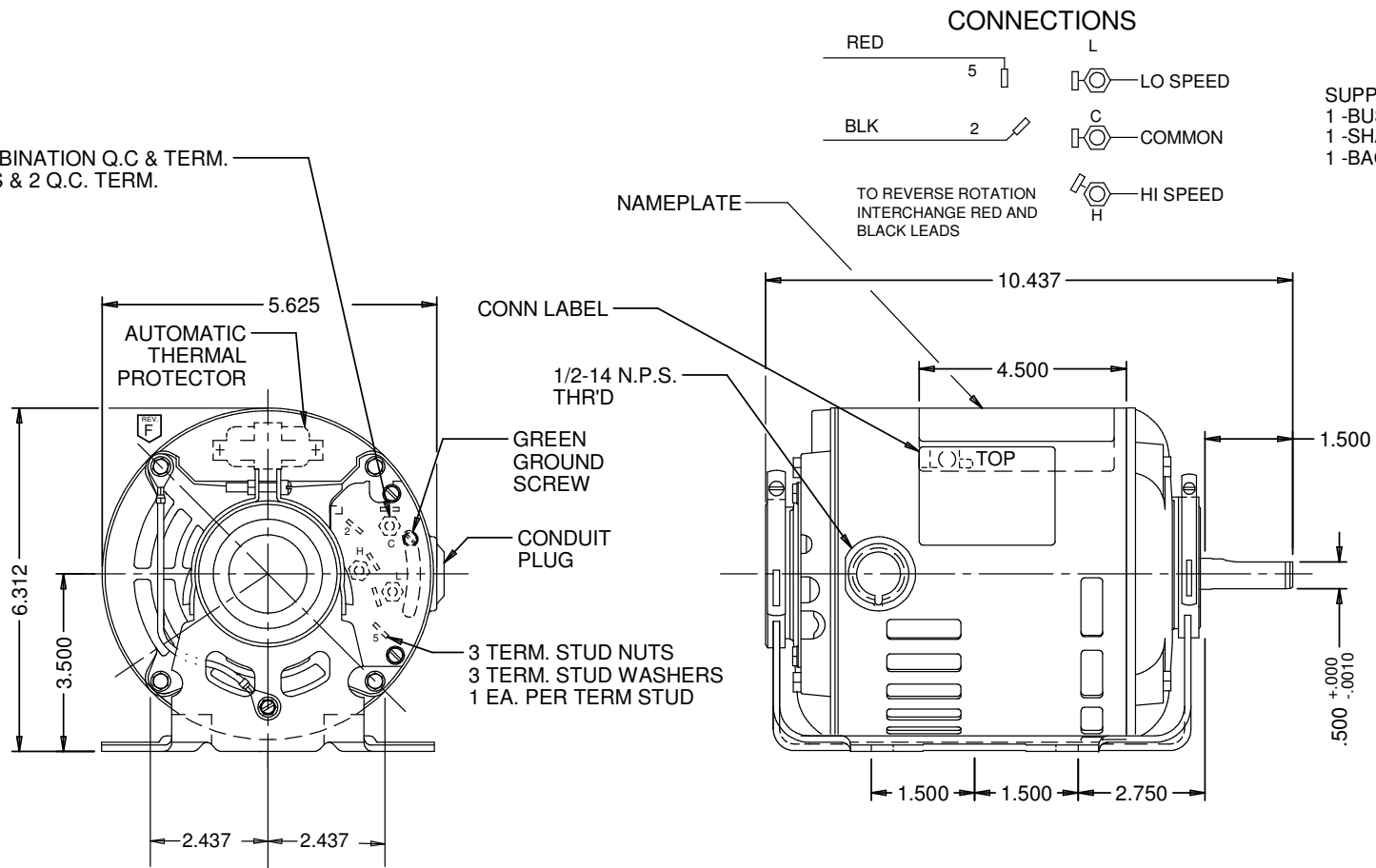
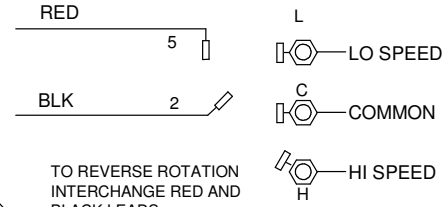


3 COMBINATION Q.C & TERM. STUDS & 2 Q.C. TERM.



CONNECTIONS



SUPPLIED DETACHED
1 -BUSHING
1 -SHAFT
1 -BAG

MODEL								REF	CUSTOMER	HP	VOLTS	AMPS	HZ	RPM	ROTATION	BALL BEARING	
SA55JXFGS-4786								-	STANDARD	1/3 / 1/8	115	5.9/3.6	60	1725/1140	CW LEAD END REV	CUSTOMER PN	
SA55JXFGS-4786								-	STANDARD	1/3 / 1/8	115	5.9/3.6	60	1725/1140	CW LEAD END REV	5793C	
SHEET NUMBER	REV	REVISION RECORD FOR: ECO E29754								INFORMATION DISCLOSED ON THIS DOCUMENT IS CONSIDERED PROPRIETARY AND SHALL NOT BE REPRODUCED OR DISCLOSED WITHOUT WRITTEN CONSENT OF NIDEC MOTOR CORPORATION					NIDEC MOTOR CORPORATION		
1 OF 1	F	CHANGED VIEW OF GROUND LEAD BEHIND OF BASE LEAD END.															
REVISION DATE																	
21-OCT-17										ALL DIMENSIONS ARE FOR REFERENCE ONLY UNLESS TOLERANCE IS GIVEN							
ISSUED BY		REVIEWED BY		ENGINEER APPROVED		TITLE			CODE	ITEM NO.	SIZE						
C. LUGO		F. FLORES		B. GAITAN		ASSEMBLED VIEW			V01	232094	B						