



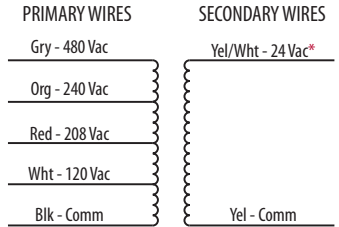
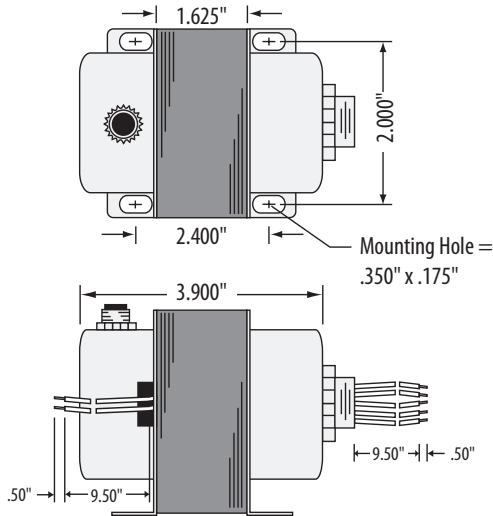
Transformer

TR75VA004

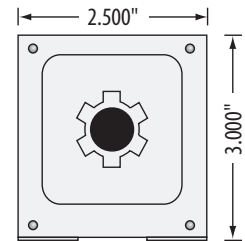
Transformer 75 VA, 480/240/208/120 to 24 Vac, Circuit Breaker, Foot and Single Threaded Hub Mount and Side Opening

SPECIFICATIONS

- VA Rating: 75
- Frequency: 50/60 Hz
- Mounting: Foot & Single Threaded Hub
- Over Current Protection: Circuit Breaker
- Dimensions: 3.000" x 2.500" x 3.900"
(w/ .500" NPT Hub)
- Wire Length: 9.5" Typical w/ .5" Strip
- Operating Temperature: -30 to 140° F
- MTBF: 100,000 Hours @ 77° F
- Construction: Split-Bobbin
- Weight: 3.78 lbs.
- Approvals: Class 2 UL5085-3 Listed, C-UL, CE, RoHS



*Secondary Yel/Wht wire in phase with Primary Blk wire.



Notes