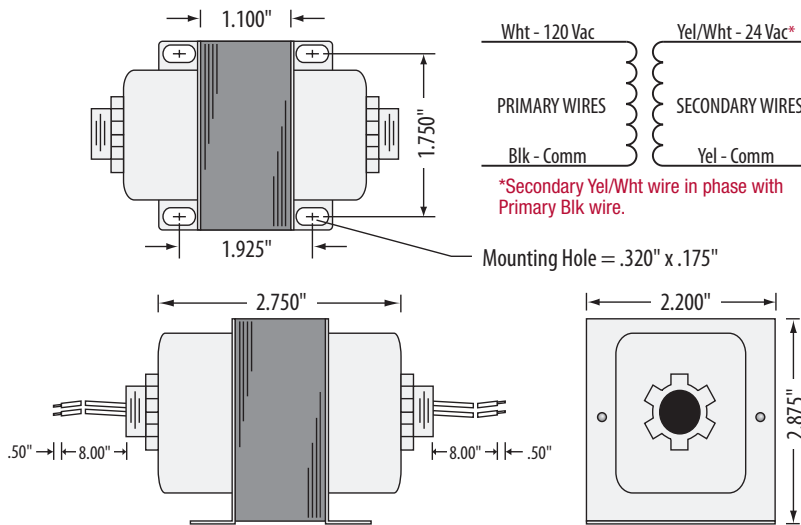


Transformer

TR50VA002

Transformer 50 VA, 120 to 24 Vac, Foot and Dual Threaded Hub Mount



SPECIFICATIONS

- VA Rating: 50
- Frequency: 50/60 Hz
- Mounting: Foot & Dual Threaded Hubs
- Over Current Protection: 3 Amp Fuse
- Dimensions: 2.875" x 2.200" x 2.700"
 (w/ .500" NPT Hubs)
- Wire Length: 8" Typical w/ .5" Strip
- Operating Temperature: -30 to 140° F
- MTBF: 100,000 Hours @ 77° F
- Construction: Split-Bobbin
- Weight: 2.18 lbs.
- Approvals: Class 2 UL5085-3 Listed, C-UL, CE, RoHS

Notes