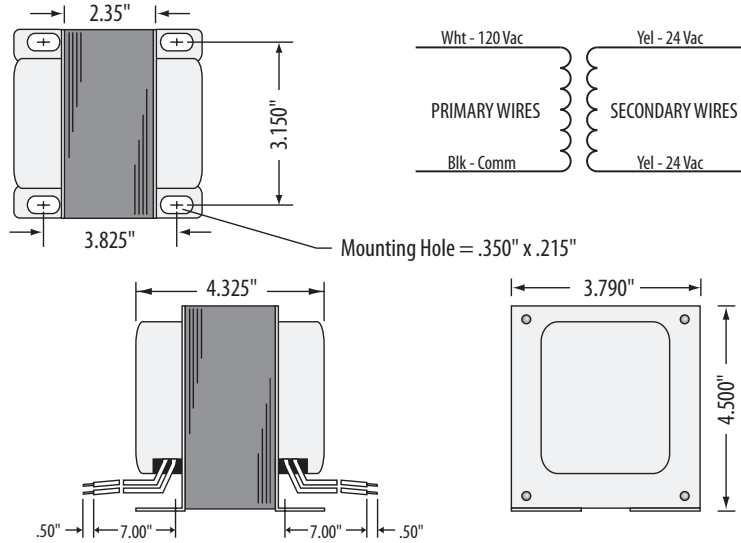




Transformer

TR375VA001

Transformer 375 VA, 120 to 24 Vac, Foot Mount, Dual Bottom Openings



SPECIFICATIONS

- VA Rating: 375
- Frequency: 50/60 Hz
- Mounting: Foot
- Over Current Protection: None
- Dimensions: 4.500" x 3.790" x 4.325"
- Wire Length: 7.0" Typical w/ .5" Strip
- Operating Temperature: -30 to 140° F
- MTBF: 100,00 Hours @ 77° F
- Construction: Split-Bobbin
- Weight: 11.44 lbs.
- Approvals: UL5085-2 Listed General Purpose
C-UL, CE, RoHS

Notes