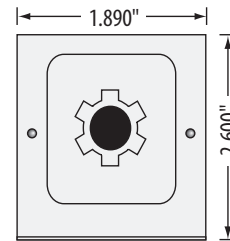
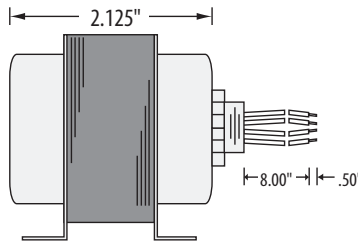
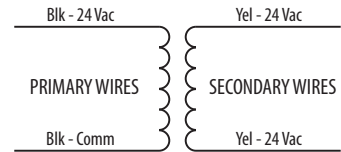
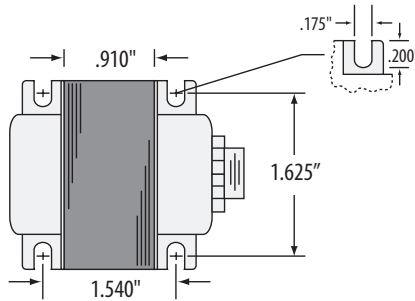


Transformer

TR20VA003

Transformer 20 VA, 24 to 24 Vac, Foot and Single Threaded Hub Mount



SPECIFICATIONS

- VA Rating: 20
- Frequency: 50/60 Hz
- Mounting: Foot & Single Threaded Hub
- Over Current Protection: Inherently Limited
- Dimensions: 2.600" x 1.900" x 2.125"
(w/ .500" NPT Hub)
- Wire Length: 8" Typical w/ .5" Strip
- Operating Temperature: -30 to 140° F
- MTBF: 100,000 Hours @ 77° F
- Construction: Split-Bobbin
- Weight: 1.39 lbs.
- Approvals: UL5085-2 Listed General Purpose
C-UL, CE, RoHS

Notes