

TF24-SR(-S) US

Proportional, Spring Return, 24 V, for 2 to 10 VDC or 4 to 20 mA Control Signal



Technical Data		TF24-SR(-S) US
Power supply		24 VAC ± 20% 50/60 Hz 24 VDC ± 10%
Power consumption	running	2 W
	holding	1 W
Transformer sizing		4 VA (class 2 power source)
Electrical connection		
	TF24-SR US	3 ft, plenum rated cable 1/2" conduit connector
	TF24-SR-S US	3 ft, 18 GA appliance cables (2) 1/2" conduit connectors
Overload protection		electronic throughout 0 to 95° rotation
Operating range Y		2 to 10 VDC, 4 to 20mA
Input impedance		100 kΩ (0.1 mA), 500 Ω
Angle of rotation		max 95°, adjust. with mechanical stop
Torque		18 in-lb [2 Nm]
Direction of rotation	spring motor	reversible with cw/ccw mounting reversible with built-in switch
Position indication		visual indicator, 0° to 95° (0° spring return position)
Running time	motor	95 sec constant, independent of load
	spring	< 25 sec @ -4°F to 122°F [-20°C to 50°C] < 60 sec @ -22°F [-30°C]
Humidity		5 to 95% RH non-condensing
Ambient temperature		-22°F to 122°F [-30°C to 50°C]
Storage temperature		-40°F to 176°F [-40°C to 80°C]
Housing		NEMA type 2 / IP42, UL enclosure type 2
Housing material		UL94-5VA
Agency listings†		cULus acc. to UL60730-1A/-2-14, CAN/CSA E60730-1:02, CE acc. to 2004/108/EC (and 2006/95/EC for -S versions)
Noise level (max)	running	< 35 db (A)
	spring return	62 dB (A)
Servicing		maintenance free
Quality standard		ISO 9001
Weight	TF24-SR	1.4 lbs (0.6 kg)
	TF24-SR-S	1.5 lbs (0.7 kg)

† Rated Impulse Voltage 800V, Type of action 1.AA (1.AA.B for -S version), Control Pollution Degree 3.

TF24-SR-S US	
Auxiliary switch	1 x SPDT 3A (0.5A) @ 250 VAC, UL approved adjustable 0° to 95° (double insulated)

Torque min. 18 in-lb, for control of air dampers

Application

For proportional modulation of dampers in HVAC systems. Actuator sizing should be done in accordance with the damper manufacturer's specifications.

The actuator is mounted directly to a damper shaft from 1/4" up to 1/2" in diameter by means of its universal clamp, 1/2" shaft centered at delivery. A crank arm and several mounting brackets are available for applications where the actuator cannot be direct coupled to the damper shaft.

The actuator operates in response to a 2 to 10 VDC, or with the addition of a 500 Ω resistor, a 4 to 20 mA control input from an electronic controller or positioner.

Operation

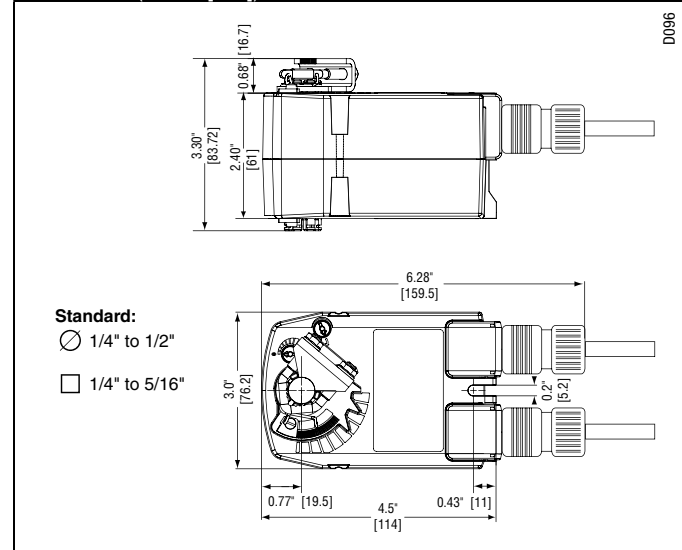
The TF series actuators provide true spring return operation for reliable fail-safe application and positive close-off on air tight dampers. The spring return system provides consistent torque to the damper with, and without, power applied to the actuator.

The TF series provides 95° of rotation and is provided with a graduated position indicator showing 0 to 95°.

The TF24-SR (-S) US uses a brushless DC motor which is controlled by an Application Specific Integrated Circuit (ASIC) and a microprocessor. The microprocessor provides the intelligence to the ASIC to provide a constant rotation rate and to know the actuator's exact fail-safe position. The ASIC monitors and controls the brushless DC motor's rotation and provides a digital rotation sensing function to prevent damage to the actuator in a stall condition. The actuator may be stalled anywhere in its normal rotation without the need of mechanical end switches. Power consumption is reduced in holding mode.

The TF24-SR-S US version is provided with one built-in auxiliary switch. This SPDT switch is provided for safety interfacing or signaling, for example, for fan start-up. The switching function is adjustable between 0° and 95°. The auxiliary switch in the TF24-SR-S US is double insulated so an electrical ground is not necessary.

Dimensions (Inches [mm])



M40024 - 05/10 - Subject to change. © Belimo Aircontrols (USA), Inc.

Accessories

Tool-06	8mm and 10 mm wrench
KH-TF	Crank arm for up to 1/2" round shaft
ZG-TF2	Crank arm adaptor kit for TF
ZG-TF112	Mounting bracket, kit for TF
ZS-100	Weather shield (metal)
ZS-150	Weather shield (polycarbonate)

NOTE: When using TF24-SR (-S) US actuators, only use accessories listed on this page.
For actuator wiring information and diagrams, refer to Belimo Wiring Guide.

Typical Specification

Spring return control damper actuators shall be direct coupled type which require no crank arm and linkage and be capable of direct mounting to a shaft up to a 1/2" diameter and center a 1/2" shaft. The actuator must provide proportional damper control in response to a 2 to 10 VDC or, with the addition of a 500 Ω resistor, a 4 to 20 mA control input from an electronic controller or positioner. The actuators must be designed so that they may be used for either clockwise or counterclockwise fail-safe operation. Actuators shall use a brushless DC motor controlled by a microprocessor and be protected from overload at all angles of rotation. Run time shall be constant, and independent of torque. If required, one SPDT auxiliary switch shall be provided having the capability of being adjustable. Actuators with auxiliary switch must be constructed to meet the requirements for Double Insulation so an electrical ground is not required to meet agency listings. Actuators shall be cULus listed certified, have a 5 year warranty, and be manufactured under ISO 9001 International Quality Control Standards. Actuators shall be as manufactured by Belimo.

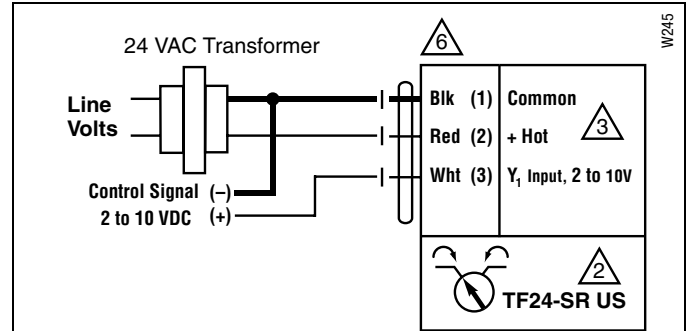
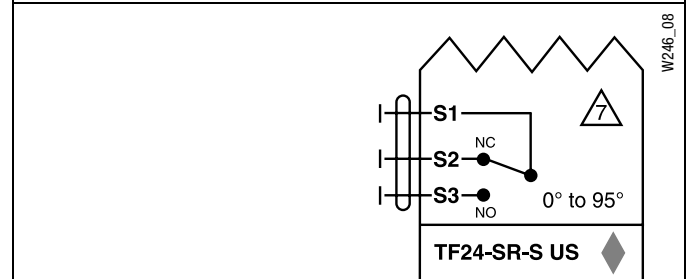
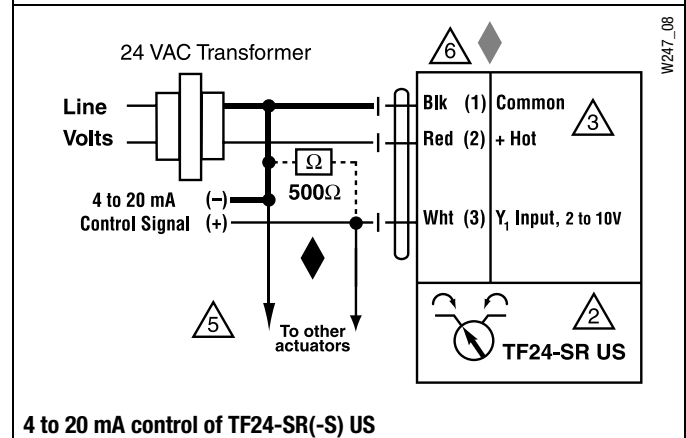
Wiring Diagrams
INSTALLATION NOTES

- CAUTION Equipment Damage!**
Up to 4 actuators may be connected in parallel. With 4 actuators wired to one 500 Ω resistor, a +2% shift of control signal may be required. Power consumption must be observed.
- Actuator may also be powered by 24 VDC.
- Only connect common to neg. (-) leg of control circuits.
- Actuators with plenum rated cable do not have numbers on wires; use color codes instead.
- For end position indication, interlock control, fan startup, etc., TF24-SR-S US incorporates one built-in auxiliary switch: 1 x SPDT, 3A (0.5A) @250 VAC, UL Approved, adjustable 0° to 95°.

APPLICATION NOTES

- Meets cULus requirements without the need of an electrical ground connection.
- The ZG-R01 500 Ω resistor converts the 4 to 20 mA control signal to 2 to 10 VDC.

WARNING Live Electrical Components!
During installation, testing, servicing and troubleshooting of this product, it may be necessary to work with live electrical components. Have a qualified licensed electrician or other individual who has been properly trained in handling live electrical components perform these tasks. Failure to follow all electrical safety precautions when exposed to live electrical components could result in death or serious injury.


2 to 10 VDC control of TF24-SR(-S) US

Auxiliary switch of TF24-SR-S US

4 to 20 mA control of TF24-SR(-S) US