



Rev. 03/17/21

# TB18 - Pluggable Terminal Block

G29

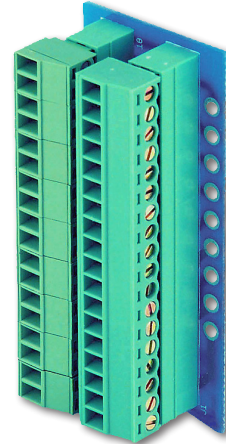
ETA Line

## Overview

The TB18 - 18-Pole Pluggable Terminal Block is a small circuit board designed to simplify the task of wire termination. The TB18 is easier to apply and troubleshoot than a bunch of wires under a large wire nut or the typical barrier strip.

The TB18 board fits into the ETA line TRK Snaptrack or any other industry standard 2.75" snaptrack, and provides a straight through connection for nine pairs of wire on individual plugs.

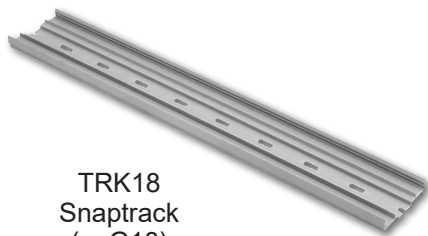
TB18  
Pluggable  
Terminal  
Block



<b>Part Number</b>	<b>Description</b>	<b>List Price</b>
BA/TB18.....	Pluggable Terminal Block (NEC Class 2 Circuits, 4 Amp max.).....	\$55
BA/TB18C .....	Pluggable Terminal Block (NEC Class 2 Circuits, 4 Amp max.)..... All odd numbered terminals are common	\$90
BA/TB18C2 .....	Pluggable Terminal Block (NEC Class 2 Circuits, 4 Amp max.)..... All odd numbered terminals are common and all even numbered terminals are common (furnished w/ 18 2-pole plugs)	\$125

Submittal datasheets without List Prices are available on our website at [www.bapihvac.com](http://www.bapihvac.com)

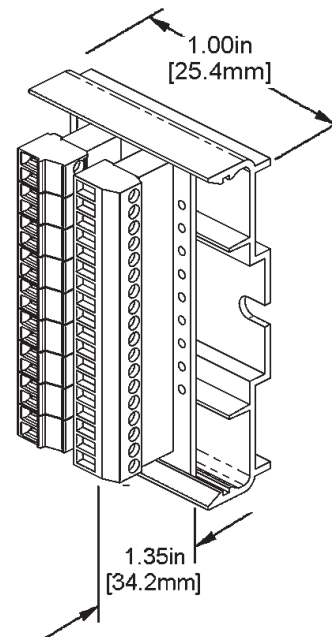
## Associated Products



TRK18  
Snaptrack  
(p. G18)

## Specifications

TB18  
mounted  
in 2.75"  
snaptrack



**Power Current:**  
NEC Class 2 Circuits, 4 Amp max.

