

# Series 250

## Stainless Steel Pressure Transducer



### Features & Applications

- Constructed of one piece, solid stainless steel
- No welds, o-rings or silicone oil to leak and cause system problems
- Perfect for applications such as chillers, boilers, refrigerant systems, pumps and compressors
- Able to handle any media compatible with 17-4Ph stainless steel
- Available with amplified output of 4-20mA
- Extremely compact design which allows for mounting in even the smallest locations

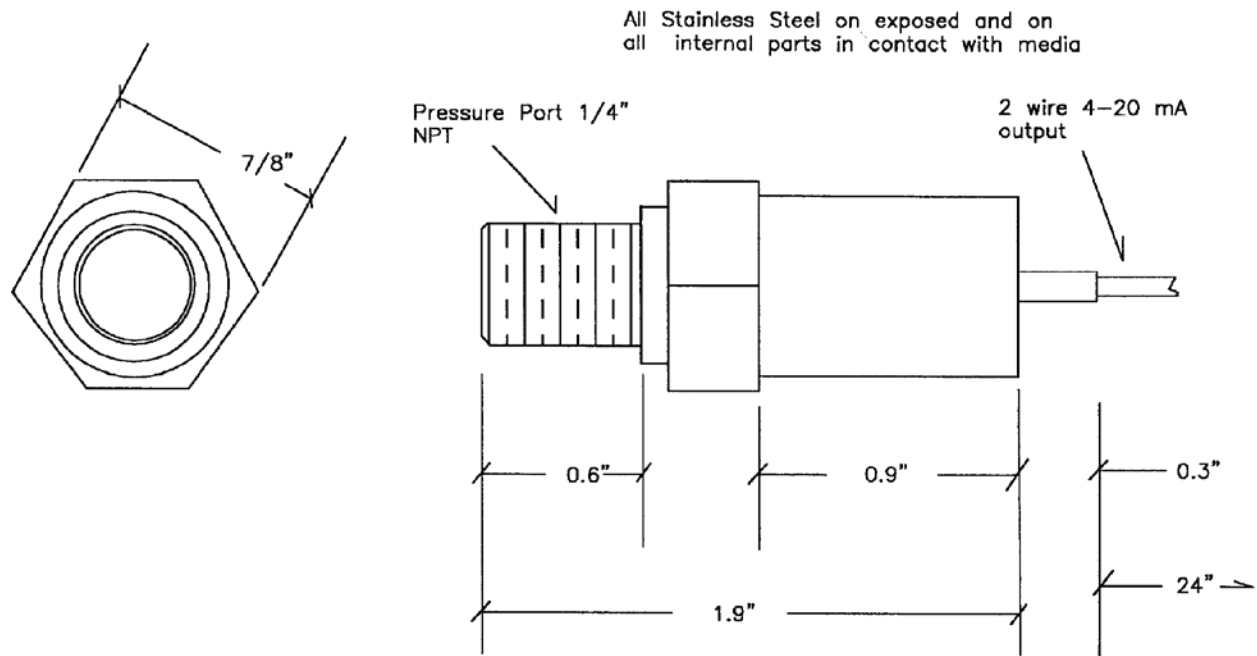
### Specifications

Accuracy*:	<+/-1% FSO
Stability:	+/- 0.25% FSO/yr typical
Thermal Effects:	+/- 2% of FSO
Overpressure:	2X range
Pressure Range:	0/100PSI, 250PSI, 500PSI, 1000PSI, 2500PSI, 5000PSI, 10000PSI
Media:	Any media, wet or dry, compatible with 17-4 Ph stainless steel
Operating Humidity:	90% RH non-condensing
Operating Temp:	-20° to 85°C
Input Supply:	10-30 VDC
Load Resistance:	1.1KΩ on 4-20mA output
Output Signal:	4-20mA two wire
Electrical Connections:	24" 2-wire (4-20mA output)
Pressure Connections:	1/4" NPT
Enclosure:	One piece 17-4 Ph solid stainless steel
Dimensions:	Approx. 2.2"L x 7/8" Hex (54.8mmL x 21.4mm Hex)

\* Includes non-linearity hysteresis and non-repeatability at a fixed temperature

Note: Controller Sensors LLC reserves the right to make changes at any time to any products herein. Controller Sensors LLC does not assume any liability arising out of the application or use of any product described herein, neither does it convey any license under its patent rights nor the rights of others.

## Physical Drawing



## How to Order

A typical order number consists of the **model number**, **pressure range**, **pressure unit**, **output** and **mounting connection**.

<u>Model</u>	<u>Pressure Range</u>	<u>Pressure Unit</u>	<u>Output</u>	<u>Mounting Connection</u>
250	100PSI 250PSI 500PSI 1,000PSI** 2,500PSI** 5,000PSI** 10,000PSI**	P = PSI	4 = 4-20 mA* (two wire)	N = 1/4" NPT

*Example: 250G 500P 4 N* (Model 250G, 500 PSI pressure range, 4-20mA output, 1/4" NPT mounting connection)

\* *The 4-20mA output is easily converted to 1-5 VDC utilizing a 250Ω resistor which we will provide upon request.*

\*\* *Not in Stock. Please allow approximately six (6) weeks for delivery.*