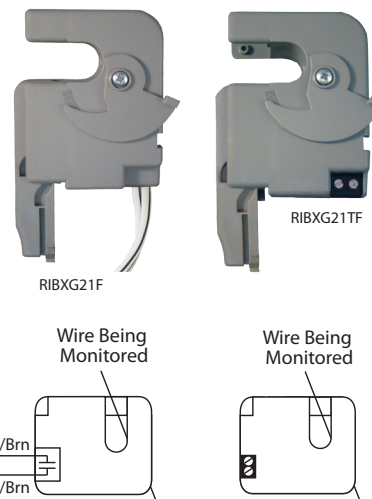
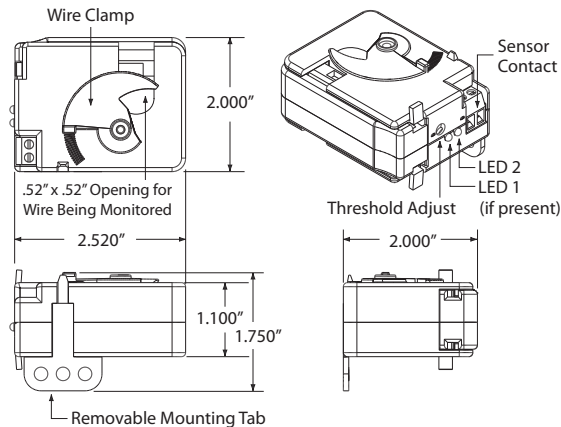


**AC CURRENT SWITCHES**

**RIBXG21 Series**

Enclosed Self-Powered Split Core 120-277 Vac Switching AC Current Sensors



CURRENT SENSORS

**SPECIFICATIONS**

**FUNCTIONAL DEVICES CERTIFIED FOR USE WITH ECMs**

**Operating Temperature:** -30 to 140° F  
**Humidity Range:** 5 to 95% (noncondensing)  
**\* Temperature Derating:** 1 Amp up to 50° C, 0.5 Amp up to 60° C  
**Max Sense Voltage:** 600 Vac  
**Sensor Contact Status:** Monitored current below threshold: Open  
 Monitored current above threshold: Closed

**Approvals:** UL Listed, UL916, C-UL, CE, RoHS  
**Mounting/ Installation:** Unit can be secured using the supplied Mounting Tab, the adjustable Wire Clamp, or both.

**Notes:**  
 • Use Sensor Contact to switch 120-277 Vac loads only.  
 • For testing purposes, Sensor Contact will measure approximately 250 Ω when closed and > 10 MΩ when open.  
 • The Sensor Contact is a Solid State Contact.

**RIBXG21 SERIES SELECTION GUIDE**

Model#	Sensing Range	Type	Threshold	Sensor Contact Type	Switching Voltage Range	Maximum Switching Current	Sensor Contact Termination	LED 1	LED 2
RIBXG21F	.50-150 Amps AC	Split Core	Fixed, .50 Amp AC	Solid State Switch SPST	120-277 Vac	1 Amp AC *	Wht/Blk 16" 18 AWG Wire Leads		
RIBXG21TF	.50-150 Amps AC	Split Core	Fixed, .50 Amp AC	Solid State Switch SPST	120-277 Vac	1 Amp AC *	Terminal Strip, Accepts #14-22 AWG Wire		
RIBXG21A	.75-150 Amps AC	Split Core	Adjustable	Solid State Switch SPST	120-277 Vac	1 Amp AC *	Wht/Blk 16" 18 AWG Wire Leads	Over Threshold	Under Threshold
RIBXG21TA	.75-150 Amps AC	Split Core	Adjustable	Solid State Switch SPST	120-277 Vac	1 Amp AC *	Terminal Strip, Accepts #14-22 AWG Wire	Over Threshold	Under Threshold