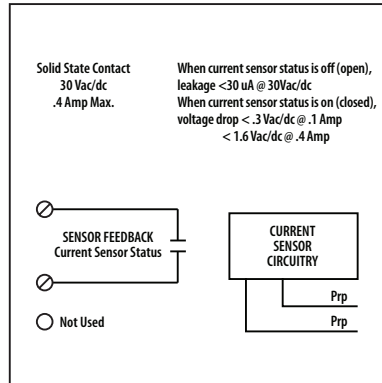




Current Sensors

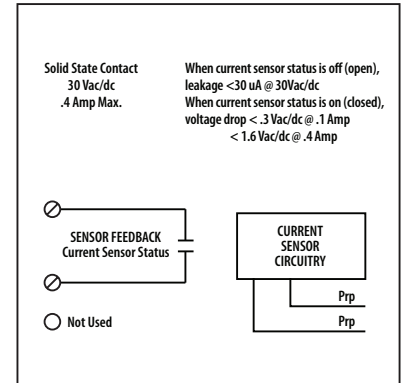
RIBXF

Enclosed Internal **Fixed** 0.50-30 Amp Current Sensor



RIBXA

Enclosed Internal **Adjustable** 0.50-30 Amp Current Sensor



SPECIFICATIONS

- Operating Temperature: -30 to 140° F
- Dimensions: 4.00" x 4.00" x 1.80" with .50" NPT Nipple
- Wire Length: 16", 600V Rated
- Approvals: UL Listed, UL916, UL864, C-UL California State Fire Marshal, CE, RoHS
- Housing Rating: Plenum, NEMA 1
- Sensor Type: Internal, with contact status
- Sensor Threshold: Fixed, .5 Amps (RIBXF)
Adjustable, .50-30 Amps (RIBXA)
- Sensor Range: .50-30 Amps
- Sensor Output: Solid State Contact 30 Vac/dc, 0.4 Amp
- Max Sense Voltage: 600 Vac

Notes