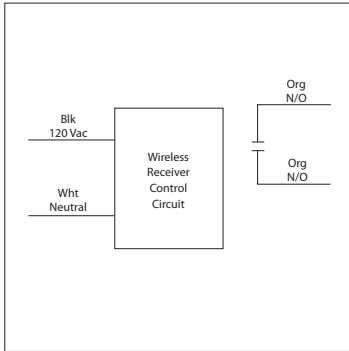


WIRELESS CONTROL RELAYS WITH TWO-WAY COMMUNICATION

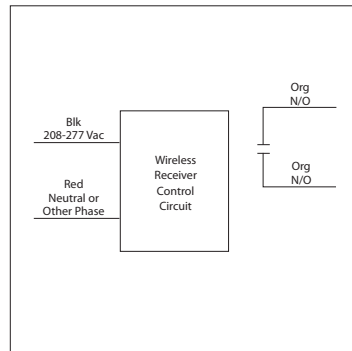
RIBW01C-EN3

Enclosed EnOcean® Enabled Wireless Relay Receiver / Repeater 5 Amp SPST-N/O, 120 Vac Power Input



RIBW02C-EN3

Enclosed EnOcean® Enabled Wireless Relay Receiver / Repeater 5 Amp SPST-N/O, 208-277 Vac Power Input



SMALLER SIZE DESIGN TO FIT INSIDE BALLAST HOUSING OF FLUORESCENT LIGHT FIXTURE.

SPECIFICATIONS

- # Relays & Contact Type:** One (1) SPST Continuous Duty Coil
- Expected Relay Life:** 10 million cycles minimum mechanical
- Operating Temperature:** -30 to 140° F
- Humidity Range:** 5 to 95% (noncondensing)
- Red LED:** Relay Status / Learn Mode Status (Flashing)
- Dimensions:** 4.60" x 1.20" x 1.70"
- Wires:** 16", 600V Rated
- Approvals:** UL Listed, UL916, C-UL
- Agency Compliance:** FCCID: SZV-TCM3200
IC: 5713A-TCM3200
- Gold Flash:** No
- Override Switch:** No
- Frequency:** 902 MHz
- Receiver Sensitivity:** -93 dBm typical
- Conducted Power:** 5 mW typical
- Built-in Switch Modes:** Alarm, Repeater, Delay, Rocker, Momentary, and Toggle

- Contact Ratings:**
5 Amp Ballast @ 120/277 Vac
5 Amp Tungsten @ 120 Vac
5 Amp Electronic Ballast @ 120 Vac
- Power Input Ratings:**
75 mA @ 120 Vac ; 60 Hz (RIBW01C-EN3)
100 mA @ 208-277 Vac ; 60 Hz (RIBW02C-EN3)

- Notes:**
- Compatible with EnOcean® 902 MHz Switches/Transmitters.
 - Typical range: 50-150 ft.
 - Open area transmission could be farther. Consult factory for more information.
 - Repeater function only rebroadcasts original EnOcean® transmission. Up to two repeaters can be used.
 - Version 1.5 firmware or later implements Functional Devices, Inc.'s EnOcean® Manufacturer ID of 0x055.
 - For setup instructions, see website for -EN3 Series:
www.functionaldevices.com/pdf/bulletins/B1867_393231.pdf or scan QR code with your smart phone.

