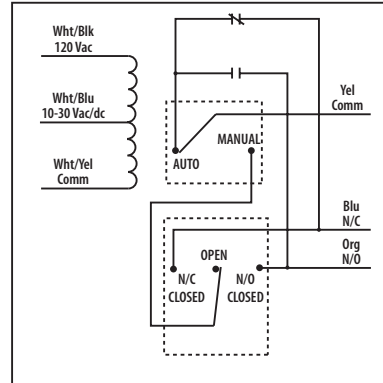




10 Amp Pilot Control Relays

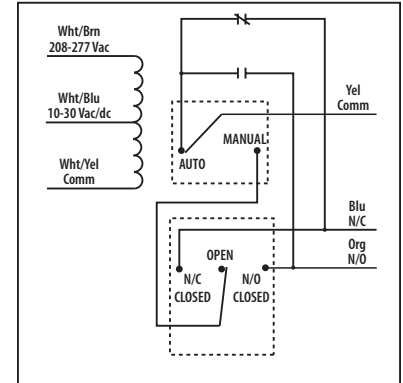
RIBU1SC

Enclosed Relay 10 Amp SPDT + Override with
 10-30 Vac/dc/120 Vac Coil



RIBH1SC

Enclosed Relay 10 Amp SPDT + Override with
 10-30 Vac/dc/208-277 Vac Coil



SPECIFICATIONS

Relays & Contact Type: One (1) SPDT Continuous Duty Coil
 Expected Relay Life: 10 million cycles minimum mechanical
 Operating Temperature: -30 to 140° F
 Operate Time: 20mS
 Relay Status: LED On = Activated
 Dimensions: 2.30" x 3.20" x 1.80" with .50" NPT nipple
 Wires: 16", 600V Rated
 Approvals: UL Listed, UL916, UL864, C-UL
 California State Fire Marshal, CE, RoHS
 Housing Rating: Plenum, NEMA 1
 Gold Flash: Yes
 Override Switch: Yes (2)

Contact Ratings:
 10 Amp Resistive @ 277 Vac
 480 VA Pilot Duty @ 277 Vac
 480 VA Ballast @ 277 Vac
 600 Watt Tungsten @ 120 Vac N/O
 240 Watt Tungsten @ 120 Vac N/C
 1/3 HP for N/O @ 120-240 Vac
 1/6 HP for N/C @ 120-240 Vac
 1/4 HP for N/O @ 277 Vac
 1/8 HP for N/C @ 277 Vac

Coil Current:
 33 mA @ 10 Vac 13 mA @ 10 Vdc
 35 mA @ 12 Vac 15 mA @ 12 Vdc
 46 mA @ 24 Vac 18 mA @ 24 Vdc
 55 mA @ 30 Vac 20 mA @ 30 Vdc
 28 mA @ 120 Vac (RIBU1SC)
 39 mA @ 208-277 Vac (RIBH1SC)

Coil Voltage Input:
 10-30 Vac/dc ; 120 Vac ; 50-60 Hz (RIBU1SC)
 10-30 Vac/dc ; 208-277 Vac ; 50-60 Hz (RIBH1SC)
 Drop Out = 2.1 Vac / 2.8 Vdc
 Pull In = 9 Vac / 10 Vdc

Notes