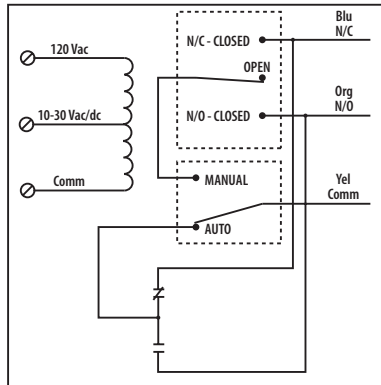




10 Amp Pilot Control Relays

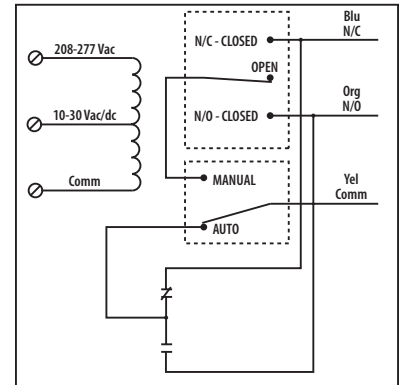
RIBTU1SC

Enclosed Relay Hi/Low Separation 10 Amp SPDT
 + Override with 10-30 Vac/dc/120 Vac Coil



RIBTH1SC

Enclosed Relay Hi/Low Separation 10 Amp SPDT
 + Override with 10-30 Vac/dc/208-277 Vac Coil



SPECIFICATIONS

- # Relays & Contact Type: One (1) SPDT Continuous Duty Coil
- Expected Relay Life: 10 million cycles minimum mechanical
- Operating Temperature: -30 to 140° F
- Operate Time: 20mS
- Relay Status: LED On = Activated
- Dimensions: 4.00" x 4.00" x 1.80" with .50" NPT nipple
- Wires: 16", 600V Rated
- Approvals: UL Listed, UL916, UL864, C-UL
 California State Fire Marshal, CE, RoHS
- Housing Rating: Plenum, NEMA 1
- Gold Flash: Yes
- Override Switch: Yes (2)

- Contact Ratings:**
- 10 Amp Resistive @ 277 Vac
 - 480 VA Pilot Duty @ 277 Vac
 - 480 VA Ballast @ 277 Vac
 - 600 Watt Tungsten @ 120 Vac N/O
 - 240 Watt Tungsten @ 120 Vac N/C
 - 1/3 HP for N/O @ 120-240 Vac
 - 1/6 HP for N/C @ 120-240 Vac
 - 1/4 HP for N/O @ 277 Vac
 - 1/8 HP for N/C @ 277 Vac

- Coil Current:**
- | | |
|--------------------------------|----------------|
| 33 mA @ 10 Vac | 13 mA @ 10 Vdc |
| 35 mA @ 12 Vac | 15 mA @ 12 Vdc |
| 46 mA @ 24 Vac | 18 mA @ 24 Vdc |
| 55 mA @ 30 Vac | 20 mA @ 30 Vdc |
| 28 mA @ 120 Vac (RIBTU1SC) | |
| 39 mA @ 208-277 Vac (RIBTH1SC) | |

- Coil Voltage Input:**
- 10-30 Vac/dc ; 120 Vac ; 50-60 Hz (RIBTU1SC)
 - 10-30 Vac/dc ; 208-277 Vac ; 50-60 Hz (RIBTH1SC)
 - Drop Out = 2.1 Vac / 2.8 Vdc
 - Pull In = 9 Vac / 10 Vdc

Notes