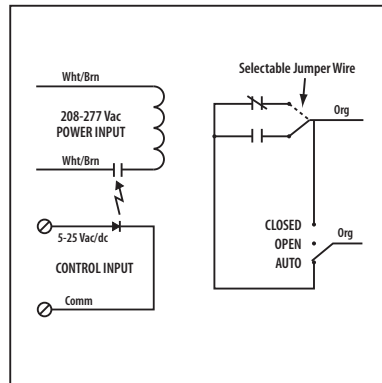




Low Coil Input Relay

RIBTE02SB

Enclosed Relay Hi/Low Separation 20 Amp SPST
 + Override, 208-277 Vac Power + 5-25 Vac/dc
 Control Input



■ SPECIFICATIONS

Power Input: 208-277 Vac, 50-60 Hz
Control Input: 5-25 Vac/dc, 50-60 Hz
Relays & Contact Type: One (1) SPST Continuous Duty Coil
Expected Relay Life: 10 million cycles minimum mechanical
Operating Temperature: -30 to 140° F
Operate Time: 18ms
Relay Status: LED On = Activated
Dimensions: 4.00" x 4.00" x 1.80" with .50" NPT Nipple
Wires: 16", 600V Rated
Approvals: UL Listed, UL916, UL864, C-UL
 California State Fire Marshal, CE, RoHS
Housing Rating: Plenum, NEMA 1
Gold Flash: No
Override Switch: Yes

Contact Ratings:
 20 Amp Resistive @ 277 Vac
 1110 VA Pilot Duty @ 277 Vac
 770 VA Pilot Duty @ 120 Vac
 20 Amp Ballast N/O @ 277 Vac
 10 Amp Ballast N/C @ 277 Vac
 10 Amp Tungsten N/O @ 120 Vac
 240 Watt Tungsten N/C @ 120 Vac
 2 HP @ 277 Vac
 1 HP @ 120 Vac

Power Input Ratings:
 69 mA @ 208-277 Vac

Control Input Ratings:
 .4 mA @ 5 Vdc
 .9 mA @ 10 Vdc
 1 mA @ 12 Vdc
 2 mA @ 24 Vdc
 3 mA @ 24 Vac
 (Non Polarized)

Notes:
 » Normally Open or Normally Closed selected by yellow jumper wire
 » Order with Momentary Override Switch by adding "-MNO" to end of model number

Notes