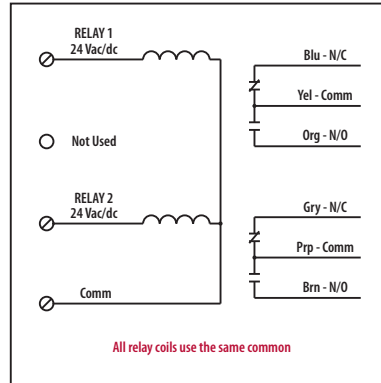




20 Amp Power Control Relays

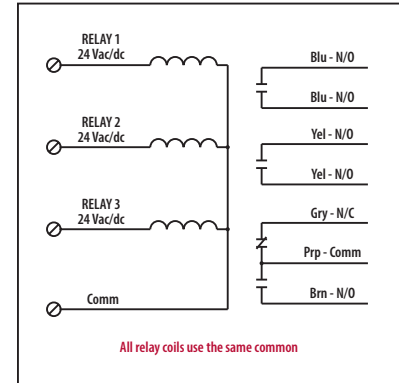
RIBT242B

Enclosed Relays Hi/Low Separation 20 Amp
 2 SPDT with 24 Vac/dc Coil



RIBT243B

Enclosed Relays Hi/Low Separation 20 Amp
 2 SPST + 1 SPDT with 24 Vac/dc



SPECIFICATIONS

Relays & Contact Type: Two (2) SPDT Continuous Duty Coil (RIBT242B)
 Two (2) SPST + One (1) SPDT Continuous Duty Coil (RIBT243B)

Expected Relay Life: 10 million cycles minimum mechanical

Operating Temperature: -30 to 140° F

Operate Time: 18mS

Relay Status: LED On = Activated

Dimensions: 4.00" x 4.00" x 1.80" with .50" NPT Nipple

Wires: 16", 600V Rated

Approvals: UL Listed, UL916, UL864, C-UL
 California State Fire Marshal, CE, RoHS

Housing Rating: Plenum, NEMA 1

Gold Flash: No

Override Switch: No

Contact Ratings:
 20 Amp Resistive @ 277 Vac
 5 Amp Resistive @ 480 Vac
 20 Amp Ballast N/O @ 277 Vac
 10 Amp Ballast N/C @ 277 Vac
 10 Amp Tungsten N/O @ 120 Vac
 1110 VA Pilot Duty @ 277 Vac
 770 VA Pilot Duty @ 120 Vac
 2 HP @ 277 Vac
 1 HP @ 120 Vac

Coil Current:
 50 mA @ 18 Vac
 83 mA @ 24 Vac
 33 mA @ 22 Vdc
 35 mA @ 24 Vdc
 47 mA @ 30 Vdc

Coil Voltage Input:
 24 Vac/dc ; 50-60 Hz
 Drop Out = 2.1 Vac / 3.8 Vdc
 Pull In = 18 Vac / 22 Vdc

Notes