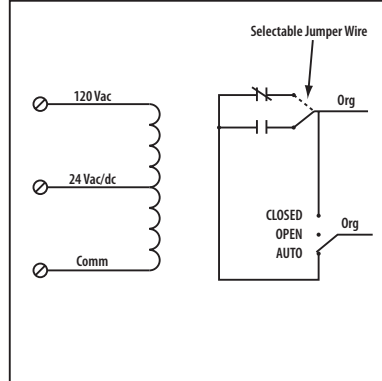




## 20 Amp Power Control Relays

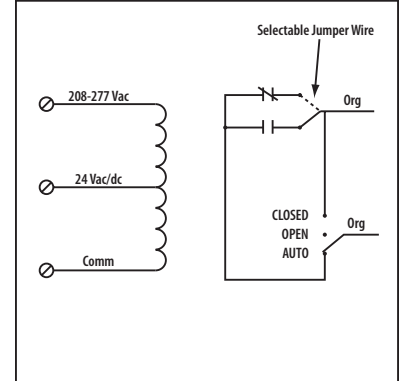
### RIBT2401SB

Enclosed Relay Hi/Low Separation 20 Amp SPST  
 + Override with 24 Vac/dc/120 Vac Coil



### RIBT2402SB

Enclosed Relay Hi/Low Separation 20 Amp SPST  
 + Override with 24 Vac/dc/208-277 Vac Coil



## ■ SPECIFICATIONS

# Relays & Contact Type: One (1) SPST Continuous Duty Coil  
 Expected Relay Life: 10 million cycles minimum mechanical  
 Operating Temperature: -30 to 140° F  
 Operate Time: 18mS  
 Relay Status: LED On = Activated  
 Dimensions: 4.00" x 4.00" x 1.80" with .50" NPT Nipple  
 Wires: 16", 600V Rated  
 Approvals: UL Listed, UL916, UL864, C-UL  
 California State Fire Marshal, CE, RoHS  
 Housing Rating: Plenum, NEMA 1  
 Gold Flash: No  
 Override Switch: Yes

**Contact Ratings:**  
 20 Amp Resistive @ 277 Vac  
 20 Amp Ballast N/O @ 277 Vac  
 10 Amp Ballast N/C @ 277 Vac  
 10 Amp Tungsten N/O @ 120 Vac  
 1110 VA Pilot Duty @ 277 Vac  
 770 VA Pilot Duty @ 120 Vac  
 2 HP @ 277 Vac  
 1 HP @ 120 Vac

**Coil Voltage Input:**  
 24 Vac/dc ; 120 Vac ; 50-60 Hz (RIBT2401SB)  
 24 Vac/dc ; 208-277 Vac ; 50-60 Hz (RIBT2402SB)  
 Drop Out = 2.1 Vac / 3.8 Vdc  
 Pull In = 18 Vac / 22 Vdc

**Coil Current:**  
 50 mA @ 18 Vac  
 83 mA @ 24 Vac  
 47 mA @ 120 Vac (RIBT2401SB)  
 69 mA @ 208-277 Vac (RIBT2402SB)  
 33 mA @ 22 Vdc  
 35 mA @ 24 Vdc  
 47 mA @ 30 Vdc

**Notes:**  
 » Normally Open or Normally Closed selected by yellow jumper wire  
 » Order with Momentary Override Switch by adding "-MNO" to end of model number

## Notes