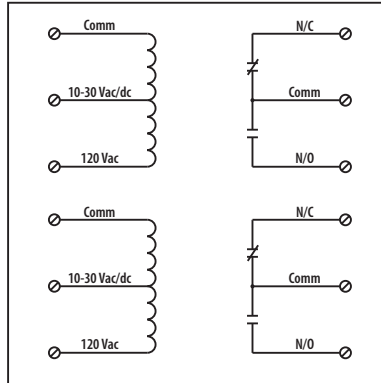




## 15 Amp Pilot Control Relays

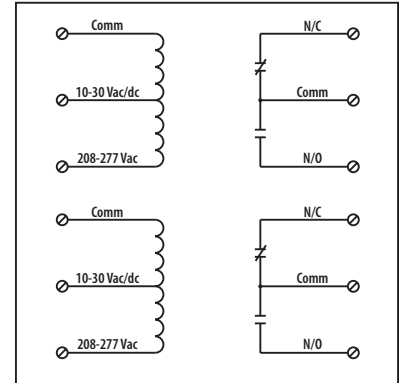
### RIBMU2C

4.00" Track Mount Relays 15 Amp 2 SPDT with 10-30 Vac/dc/120 Vac Coil



### RIBMH2C

4.00" Track Mount Relays 15 Amp 2 SPDT with 10-30 Vac/dc/208-277 Vac Coil



### SPECIFICATIONS

**# Relays & Contact Type:** Two (2) SPDT Continuous Duty Coil  
**Expected Relay Life:** 10 million cycles minimum mechanical  
**Operating Temperature:** -30 to 140° F  
**Operate Time:** 20mS  
**Relay Status:** LED On = Activated  
**Dimensions:** 2.450" x 4.000" x 1.750"  
**Track Mount:** 4.000"; See MT4 Series on page 134  
**MT4 Mounting Track Sold Separately**  
**Approvals:** UL Listed, UL916, UL864, C-UL  
 California State Fire Marshal, CE, RoHS  
**Gold Flash:** Yes  
**Override Switch:** No

### Contact Ratings:

15 Amp Inductive @ 150 Vac  
 15 Amp Resistive @ 150 Vac, 28 Vdc  
 10 Amp Resistive @ 277 Vac  
 480 VA Pilot Duty @ 240-277 Vac  
 480 VA Ballast @ 277 Vac  
 600 Watt Tungsten @ 120 Vac N/O  
 240 Watt Tungsten @ 120 Vac N/C  
 1/3 HP for N/O @ 120-240 Vac  
 1/6 HP for N/C @ 120-240 Vac  
 1/4 HP for N/O @ 277 Vac  
 1/8 HP for N/C @ 277 Vac

### Coil Current:

33 mA @ 10 Vac	13 mA @ 10 Vdc
35 mA @ 12 Vac	15 mA @ 12 Vdc
46 mA @ 24 Vac	18 mA @ 24 Vdc
55 mA @ 30 Vac	20 mA @ 30 Vdc
28 mA @ 120 Vac (RIBMU2C)	
39 mA @ 208-277 Vac (RIBMH2C)	

### Coil Voltage Input:

10-30 Vac/dc ; 120 Vac ; 50-60 Hz (RIBMU2C)  
 10-30 Vac/dc ; 208-277 Vac ; 50-60 Hz (RIBMH2C)  
 Drop Out = 2.1 Vac / 2.8 Vdc  
 Pull In = 9 Vac / 10 Vdc

### Notes