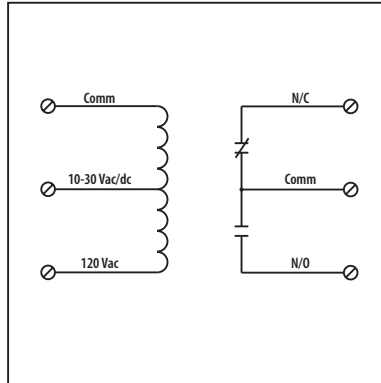




## 15 Amp Pilot Control Relays

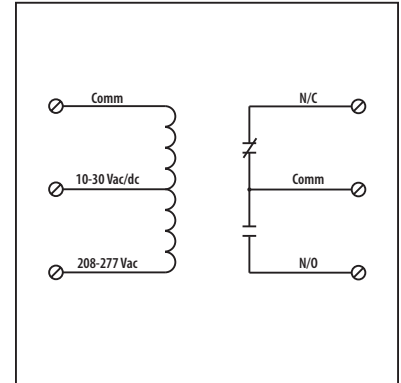
### RIBMNU1C

2.75" Track Mount Relay 15 Amp SPDT with  
 10-30 Vac/dc/120 Vac Coil



### RIBMNH1C

2.75" Track Mount Relay 15 Amp SPDT with  
 10-30 Vac/dc/208-277 Vac Coil



## SPECIFICATIONS

**# Relays & Contact Type:** One (1) SPDT Continuous Duty Coil  
**Expected Relay Life:** 10 million cycles minimum mechanical  
**Operating Temperature:** -30 to 140° F  
**Operate Time:** 20mS  
**Relay Status:** LED On = Activated  
**Dimensions:** 1.700" x 2.750" x 1.750"  
**Track Mount:** 2.750". See MT212 Series on page 134  
**MT212 Mounting Track Sold Separately**  
**Approvals:** UL Listed, UL916, UL864, C-UL  
 California State Fire Marshal, CE, RoHS  
**Gold Flash:** Yes  
**Override Switch:** No

**Contact Ratings:**  
 15 Amp Resistive @ 150 Vac, 28Vdc  
 15 Amp Inductive @ 150 Vac  
 10 Amp Resistive @ 120-277 Vac, 28 Vdc  
 480 VA Pilot Duty @ 240-277 Vac  
 480 VA Ballast @ 277 Vac  
 600 Watt Tungsten @ 120 Vac N/O  
 240 Watt Tungsten @ 120 Vac N/C  
 1/3 HP for N/O @ 120-240 Vac  
 1/6 HP for N/C @ 120-240 Vac  
 1/4 HP for N/O @ 277 Vac  
 1/8 HP for N/C @ 277 Vac

**Coil Current:**  
 33 mA @ 10 Vac                      13 mA @ 10 Vdc  
 35 mA @ 12 Vac                      15 mA @ 12 Vdc  
 46 mA @ 24 Vac                      18 mA @ 24 Vdc  
 55 mA @ 30 Vac                      20 mA @ 30 Vdc  
 28 mA @ 120 Vac (RIBMNU1C)  
 39 mA @ 208-277 Vac (RIBMNH1C)

**Coil Voltage Input:**  
 10-30 Vac/dc ; 120 Vac ; 50-60 Hz (RIBMNU1C)  
 10-30 Vac/dc ; 208-277 Vac ; 50-60 Hz (RIBMNH1C)  
 Drop Out = 2.1 Vac / 2.8 Vdc  
 Pull In = 9 Vac / 10 Vdc

## Notes