

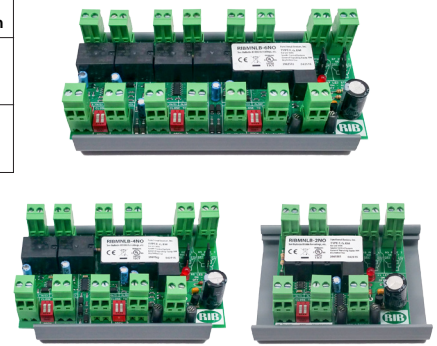
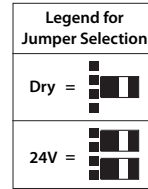
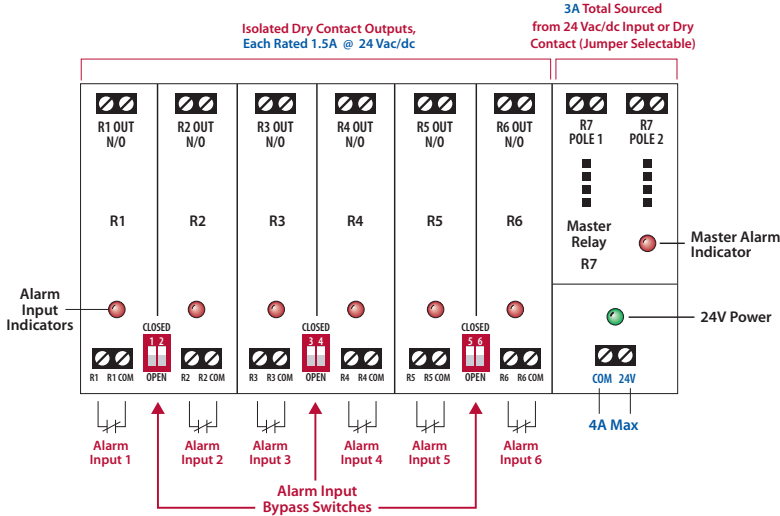
**FAN SAFETY ALARM CIRCUITS**

**RIBMNLB-6NO/-4NO/-2NO**

2.75" Track Mount AHU Fan Safety Alarm and General Purpose Logic Circuit, 24 Vac Power Input, 2/4/6 Alarm Inputs all with N/O Outputs



RELAYS



**SPECIFICATIONS**

- Expected Relay Life:** 10 million cycles minimum mechanical
- Operating Temperature:** -30 to 140° F
- Humidity Range:** 5 to 95% (noncondensing)
- Operate Time:** 8ms
- Power Input:** 4 Amp max. @ 24 Vac/dc ; 50-60 Hz
- Alarm Status:** LED On = Activated
- Dimensions:** 6.200" x 2.750" x 1.750" (RIBMNLB-6NO)  
4.600" x 2.750" x 1.750" (RIBMNLB-4NO)  
3.000" x 2.750" x 1.750" (RIBMNLB-2NO)
- Track Mount:** MT212-6 Mounting Track Provided (RIBMNLB-6NO)  
MT212-4 Mounting Track Provided (RIBMNLB-4NO, RIBMNLB-2NO)
- Approvals:** UL Listed, UL916, UL864, C-UL, CE, RoHS
- Gold Flash:** No
- Override Switch:** No

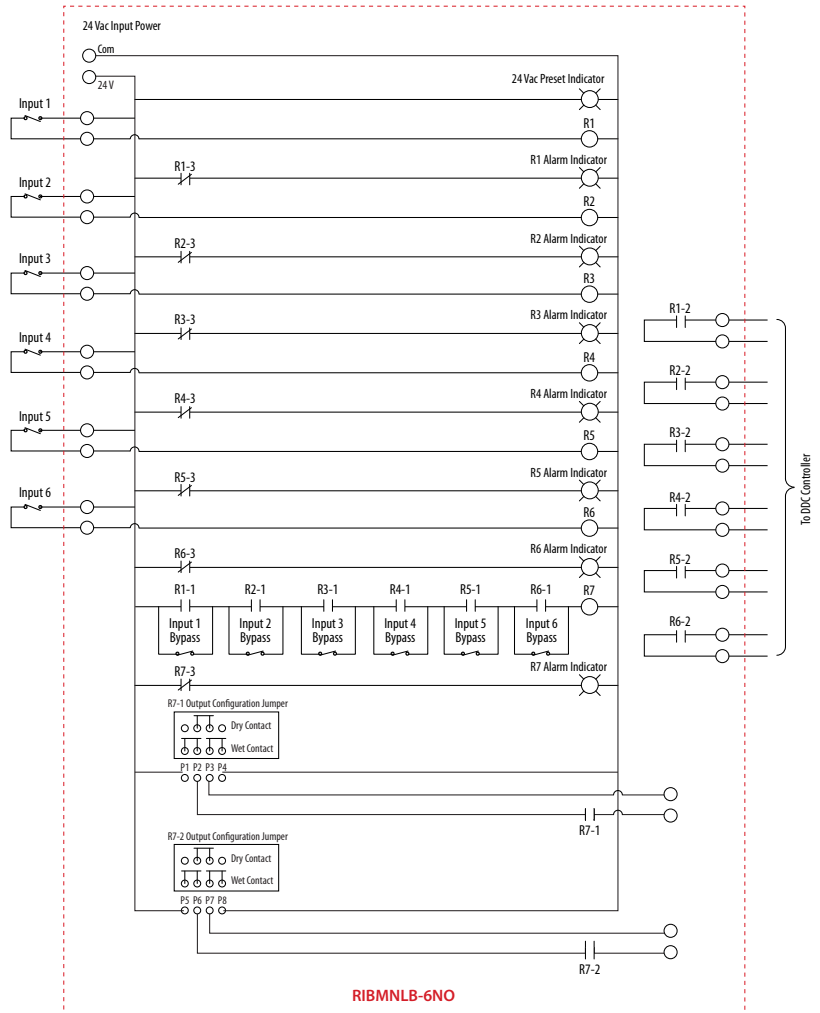
Models RIBMNLB-6NO, RIBMNLB-4NO, and RIBMNLB-2NO are simply devices that combine a common relay-logic function into a small, easy-to-install, and less expensive form.

A master relay will open if any one of the normally-closed (N/C) inputs open. There are six, four, or two inputs depending on the model chosen. LED status of all inputs, the master relay, and power input is provided. Bypass of un-used inputs is also provided. The RIBMNLB series is provided with mounting track for mounting in user-provided electrical enclosures.

The master relay has two general-purpose outputs: both can be jumper selected at 24 V (sourced from input) or dry contact. The most common application is an Air Handling Unit (AHU) fan-safety-shutdown where the master relay is used to shutdown the fan. Contact closure outputs are provided so that a DDC controller can determine the cause of a shutdown.

**Notes:**

- RIBMNLB-6NO has six Alarm Inputs and one Master Alarm.
- RIBMNLB-4NO has four Alarm Inputs and one Master Alarm.
- RIBMNLB-2NO has two Alarm Inputs and one Master Alarm.
- This is a half wave device. When connecting 24 Vac to both this device and a full-wave device, damage to device can occur.



SELECTION GUIDE		
Model#	Inputs	
RIBMNLB-6NO	6	MT212 Mounting Track
RIBMNLB-4NO	4	MT212 Mounting Track
RIBMNLB-2NO	2	MT212 Mounting Track