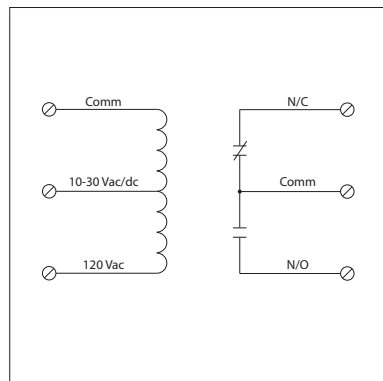


15 AMP TRACK MOUNT CONTROL RELAYS

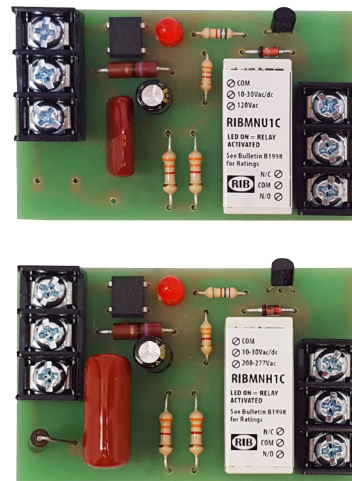
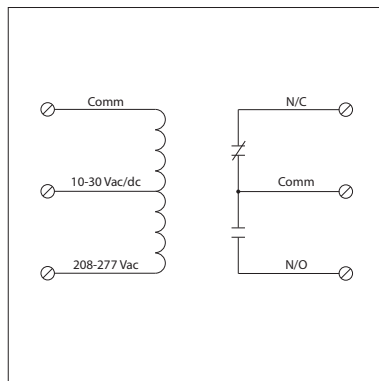
RIBMNU1C

2.75" Track Mount Relay 15 Amp SPDT with 10-30 Vac/dc/120 Vac Coil



RIBMNH1C

2.75" Track Mount Relay 15 Amp SPDT with 10-30 Vac/dc/208-277 Vac Coil



Made in USA Meets "Buy American" of ARRA 2009

RELAYS

SPECIFICATIONS

Relays & Contact Type: One (1) SPDT Continuous Duty Coil
Expected Relay Life: 10 million cycles minimum mechanical
Operating Temperature: -30 to 140° F
Humidity Range: 5 to 95% (noncondensing)
Operate Time: 20ms
Relay Status: LED On = Activated
Dimensions: 1.700" x 2.750" x 1.750"
Track Mount: 2.750", See MT212 Series on page 152
MT212 Mounting Track Sold Separately
Approvals: UL Listed, UL916, UL864, C-UL California State Fire Marshal, CE, RoHS
Gold Flash: Yes
Override Switch: No

Contact Ratings:
 15 Amp Resistive @ 150 Vac, 28Vdc
 15 Amp Inductive @ 150 Vac
 10 Amp Resistive @ 120-277 Vac, 28 Vdc
 480 VA Pilot Duty @ 240-277 Vac
 480 VA Ballast @ 277 Vac
Not rated for Electronic Ballast
 600 Watt Tungsten @ 120 Vac (N/O)
 240 Watt Tungsten @ 120 Vac (N/C)
 1/3 HP @ 120-240 Vac (N/O)
 1/6 HP @ 120-240 Vac (N/C)
 1/4 HP @ 277 Vac (N/O)
 1/8 HP @ 277 Vac (N/C)

Coil Current:
 33 mA @ 10 Vac 13 mA @ 10 Vdc
 35 mA @ 12 Vac 15 mA @ 12 Vdc
 46 mA @ 24 Vac 18 mA @ 24 Vdc
 55 mA @ 30 Vac 20 mA @ 30 Vdc
 28 mA @ 120 Vac (RIBMNU1C)
 39 mA @ 208-277 Vac (RIBMNH1C)

Coil Voltage Input:
 10-30 Vac/dc ; 120 Vac ; 50-60 Hz (RIBMNU1C)
 10-30 Vac/dc ; 208-277 Vac ; 50-60 Hz (RIBMNH1C)
 Drop Out = 2.1 Vac / 2.8 Vdc
 Pull In = 9 Vac / 10 Vdc