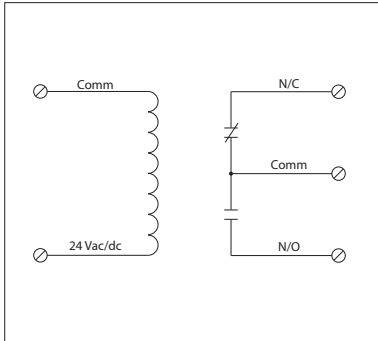


15 AMP TRACK MOUNT CONTROL RELAYS

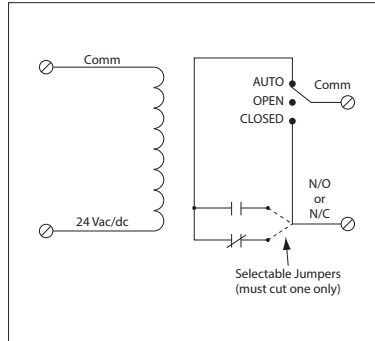
RIBMN24C-4T

Four 2.75" Track Mount Relays 15 Amp SPDT with 24 Vac/dc Coil and 2.75" x 6.00" Mounting Track



RIBMN24S-4T

Four 2.75" Track Mount Relays 15 Amp SPST + **Override** with 24 Vac/dc Coil and 2.75" x 6.00" Mounting Track



RELAYS

SPECIFICATIONS

Relays & Contact Type: Four (4) SPDT Continuous Duty Coils (RIBMN24C-4T)
Four (4) SPST Continuous Duty Coils (RIBMN24S-4T)

Expected Relay Life: 10 million cycles minimum mechanical

Operating Temperature: -30 to 140° F

Humidity Range: 5 to 95% (noncondensing)

Operate Time: 6ms

Relay Status: LED On = Activated

Dimensions: 6.000" x 2.750" x 1.150" (RIBMN24C-4T)
6.000" x 2.750" x 1.500" (RIBMN24S-4T)

Track Mount: 2.750" x 6.000"; MT212-6 Mounting Track Included

Approvals: UL Listed, UL916, UL864, C-UL
California State Fire Marshal, CE, RoHS

Gold Flash: No

Override Switch: No (RIBMN24C-4T)
Yes (RIBMN24S-4T)

Contact Ratings:
15 Amp General Use @ 125 Vac
10 Amp General Use @ 277 Vac
10 Amp Resistive @ 30 Vdc (N/O)
7 Amp Resistive @ 30 Vdc (N/C)
1/2 HP @ 125 Vac
1 HP @ 250 Vac
1/4 HP @ 277 Vac
C300 Pilot Duty

Coil Current:
26 mA @ 20 Vac
31 mA @ 24 Vac
48 mA @ 35 Vac
14 mA @ 20 Vdc
18 mA @ 24 Vdc
28 mA @ 35 Vdc

Coil Voltage Input:
24 Vac/dc ; 50-60 Hz
Drop Out = 3 Vac / 3.8 Vdc
Pull In = 20 Vac / 20 Vdc

Notes:
• Must cut appropriate jumper to select Normally Open or Normally Closed (RIBMN24S-4T)