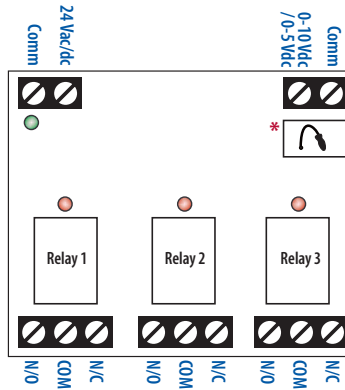




I/O Expander

RIBMN24Q3C

2.75" Track Mount 3 Output I/O Expander
 with 24 Vac/dc Power and 0-10 Vdc / 0-5 Vdc
 Control Input



0-10 Vdc Control Voltage	0-5 Vdc* Control Voltage	Relay 1 Status	Relay 2 Status	Relay 3 Status
0-0.988Vdc	0-0.494Vdc	OFF	OFF	OFF
1.366-2.242Vdc	0.683-1.121Vdc	ON	OFF	OFF
2.620-3.496Vdc	1.310-1.748Vdc	OFF	ON	OFF
3.876-4.752Vdc	1.938-2.376Vdc	ON	ON	OFF
5.130-6.006Vdc	2.565-3.003Vdc	OFF	OFF	ON
6.386-7.262Vdc	3.193-3.631Vdc	ON	OFF	ON
7.640-8.516Vdc	3.820-4.258Vdc	OFF	ON	ON
8.896-10.000Vdc	4.448-5.000Vdc	ON	ON	ON

SPECIFICATIONS

Relays & Contact Type: Three (3) SPDT Continuous Duty Coil
Expected Relay Life: 10 million cycles minimum mechanical
Operating Temperature: -30 to 140° F
Relay Status: Green LED On = Power On
 Red LED On = Relay Activated
Dimensions: 4.000" x 2.750" x 1.750"
Track Mount: MT212-4 Mounting Track Provided
Approvals: UL Listed, UL916, C-UL, CE, RoHS
Gold Flash: No
Override Switch: No

Contact Ratings:
 15 Amp General Use @ 125 Vac
 10 Amp General Use @ 277 Vac
 10 Amp Resistive @ 30 Vdc N/O
 7 Amp Resistive @ 30 Vdc N/C
 1/2 HP @ 125 Vac
 1 HP @ 250 Vac
 1/4 HP @ 277 Vac
 470 VA Pilot Duty @ 125 Vac
 770 VA Pilot Duty @ 250 Vac

Power Input:
 24 Vac/dc ; 50-60 Hz
 150mA max.

Notes:
 » *Must clip resistor in white box for 0-5Vdc.
 » Custom Programming Available for Large Orders.

Notes