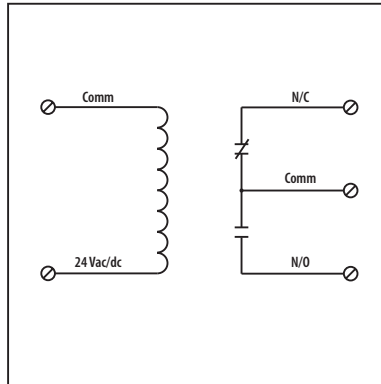




15 Amp Pilot Control Relays

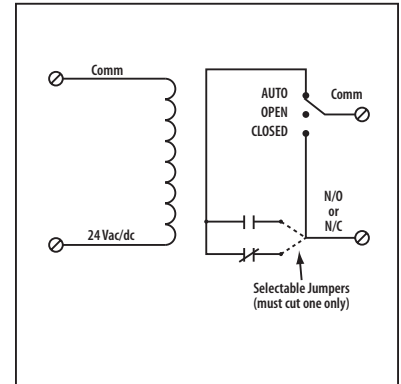
RIBMN24C-4T

Four 2.75" Track Mount Relays 15 Amp **SPDT** with 24 Vac/dc Coil and 2.75" x 6.00" Mounting Track



RIBMN24S-4T

Four 2.75" Track Mount Relays 15 Amp **SPST + Override** with 24 Vac/dc Coil and 2.75" x 6.00" Mounting Track



■ SPECIFICATIONS

Relays & Contact Type: Four (4) SPDT Continuous Duty Coils (RIBMN24C-4T)
 Four (4) SPST Continuous Duty Coils (RIBMN24S-4T)
Expected Relay Life: 10 million cycles minimum mechanical
Operating Temperature: -30 to 140° F
Operate Time: 6mS
Relay Status: LED On = Activated
Dimensions: 1.100" x 2.750" x 1.750"
Track Mount: 2.750" x 6.000"
 MT212-6 Mounting Track Included
Approvals: UL Listed, UL916, UL864, C-UL
 California State Fire Marshal, CE, RoHS
Gold Flash: No
Override Switch: No (RIBMN24C-4T)
 Yes (RIBMN24S-4T)

Contact Ratings:
 10 Amp General Use @ 277 Vac
 10 Amp Resistive @ 30 Vdc N/C
 7 Amp Resistive @ 30 Vdc N/O
 1/2 HP @ 125 Vac
 1 HP @ 250 Vac
 1/4 HP @ 277 Vac
 C300 Pilot Duty

Coil Current:
 26 mA @ 20 Vac
 31 mA @ 24 Vac
 48 mA @ 35 Vac
 14 mA @ 20 Vdc
 18 mA @ 24 Vdc
 28 mA @ 35 Vdc

Coil Voltage Input:
 24 Vac/dc ; 50-60 Hz
 Drop Out = 3 Vac / 3.8 Vdc
 Pull In = 20 Vac / 20 Vdc

Notes:
 » Must cut appropriate jumper to select Normally Open or Normally Closed (RIBMN24S-4T)
 » Order with Momentary Override Switch by adding "-MNO" to end of model number (RIBMN24S-4T)

Notes