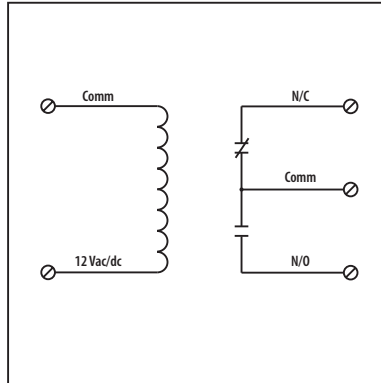




## 15 Amp Pilot Control Relays

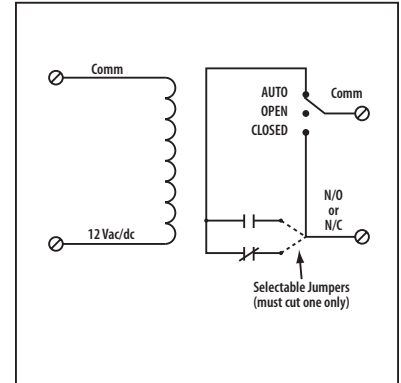
### RIBMN12C

2.75" Track Mount Relay 15 Amp **SPDT** with 12 Vac/dc Coil



### RIBMN12S

2.75" Track Mount Relay 15 Amp **SPST + Override** with 12 Vac/dc Coil



### ■ SPECIFICATIONS

**# Relays & Contact Type:** One (1) SPDT Continuous Duty Coil (RIBMN12C)  
 One (1) SPST Continuous Duty Coil (RIBMN12S)  
**Expected Relay Life:** 10 million cycles minimum mechanical  
**Operating Temperature:** -30 to 140° F  
**Operate Time:** 6mS  
**Relay Status:** LED On = Activated  
**Dimensions:** 1.100" x 2.750" x 1.750"  
**Track Mount:** 2.750", See MT212 Series on page 134  
**MT212 Mounting Track Sold Separately**  
**Approvals:** UL Listed, UL916, UL864, C-UL  
 California State Fire Marshal, CE, RoHS  
**Gold Flash:** No  
**Override Switch:** No (RIBMN12C)  
 Yes (RIBMN12S)

**Contact Ratings:**  
 10 Amp General Use @ 277 Vac  
 10 Amp Resistive @ 30 Vdc N/C  
 7 Amp Resistive @ 30 Vdc N/O  
 1/2 HP @ 125 Vac  
 1 HP @ 250 Vac  
 1/4 HP @ 277 Vac  
 C300 Pilot Duty

**Coil Current:**  
 53 mA @ 10 Vac  
 62 mA @ 12 Vac  
 29 mA @ 11 Vdc  
 35 mA @ 12 Vdc

**Coil Voltage Input:**  
 12 Vac/dc ; 50-60 Hz  
 Drop Out = 2 Vac / 2.5 Vdc  
 Pull In = 9 Vac / 11 Vdc

**Notes:**  
 » Must cut appropriate jumper to select Normally Open or Normally Closed (RIBMN12S)  
 » Order with Momentary Override Switch by adding "-MNO" to end of model number (RIBMN12S)

### Notes