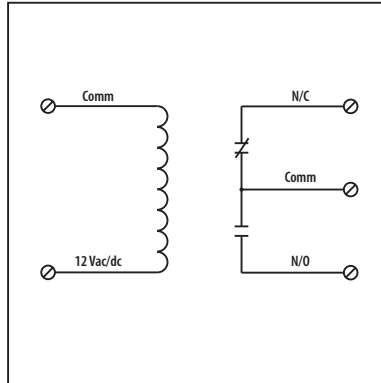




15 Amp Pilot Control Relays

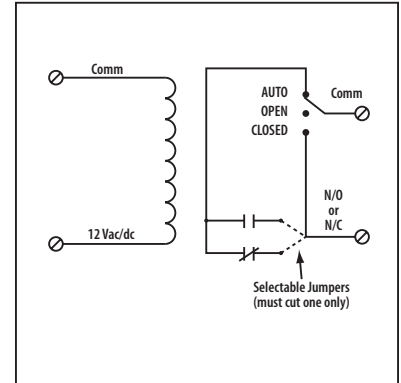
RIBMN12C

2.75" Track Mount Relay 15 Amp **SPDT** with 12 Vac/dc Coil



RIBMN12S

2.75" Track Mount Relay 15 Amp **SPST + Override** with 12 Vac/dc Coil



■ SPECIFICATIONS

Relays & Contact Type: One (1) SPDT Continuous Duty Coil (RIBMN12C)
 One (1) SPST Continuous Duty Coil (RIBMN12S)
Expected Relay Life: 10 million cycles minimum mechanical
Operating Temperature: -30 to 140° F
Operate Time: 6mS
Relay Status: LED On = Activated
Dimensions: 1.100" x 2.750" x 1.750"
Track Mount: 2.750", See MT212 Series on page 134
MT212 Mounting Track Sold Separately
Approvals: UL Listed, UL916, UL864, C-UL
 California State Fire Marshal, CE, RoHS
Gold Flash: No
Override Switch: No (RIBMN12C)
 Yes (RIBMN12S)

Contact Ratings:
 10 Amp General Use @ 277 Vac
 10 Amp Resistive @ 30 Vdc N/C
 7 Amp Resistive @ 30 Vdc N/O
 1/2 HP @ 125 Vac
 1 HP @ 250 Vac
 1/4 HP @ 277 Vac
 C300 Pilot Duty

Coil Current:
 53 mA @ 10 Vac
 62 mA @ 12 Vac
 29 mA @ 11 Vdc
 35 mA @ 12 Vdc

Coil Voltage Input:
 12 Vac/dc ; 50-60 Hz
 Drop Out = 2 Vac / 2.5 Vdc
 Pull In = 9 Vac / 11 Vdc

Notes:
 » Must cut appropriate jumper to select Normally Open or Normally Closed (RIBMN12S)
 » Order with Momentary Override Switch by adding "-MNO" to end of model number (RIBMN12S)

Notes