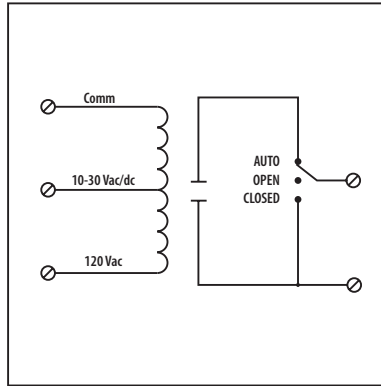


15 Amp Pilot Control Relays

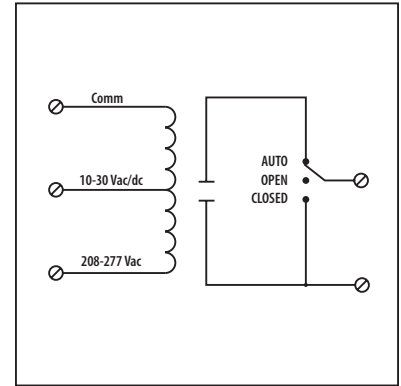
RIBMU1S

4.00" Track Mount Relay 15 Amp SPST-N/O +
 Override with 10-30 Vac/dc/120 Vac Coil



RIBMH1S

4.00" Track Mount Relay 15 Amp SPST-N/O +
 Override with 10-30 Vac/dc/208-277 Vac Coil



SPECIFICATIONS

Relays & Contact Type: One (1) SPST Continuous Duty Coil
 Expected Relay Life: 10 million cycles minimum mechanical
 Operating Temperature: -30 to 140° F
 Operate Time: 20mS
 Relay Status: LED On = Activated
 Dimensions: 1.275" x 4.000" x 1.750"
 Track Mount: 4.000"; See MT4 Series on page 134
 MT4 Mounting Track Sold Separately
 Approvals: UL Listed, UL916, UL864, C-UL
 California State Fire Marshal, CE, RoHS
 Gold Flash: Yes
 Override Switch: Yes

Contact Ratings:

15 Amp Resistive @ 150 Vac
 10 Amp Resistive @ 277 Vac
 480 VA Pilot Duty @ 277 Vac
 480 VA Ballast @ 277 Vac
 600 Watt Tungsten @ 120 Vac N/O
 240 Watt Tungsten @ 120 Vac N/C
 1/3 HP for N/O @ 120-240 Vac
 1/6 HP for N/C @ 120-240 Vac
 1/4 HP for N/O @ 277 Vac
 1/8 HP for N/C @ 277 Vac

Coil Voltage Input:

10-30 Vac/dc ; 120 Vac ; 50-60 Hz (RIBMU1S)
 10-30 Vac/dc ; 208-277 Vac ; 50-60 Hz (RIBMH1S)
 Drop Out = 2.1 Vac / 2.8 Vdc
 Pull In = 9 Vac / 10 Vdc

Coil Current:

33 mA @ 10 Vac	13 mA @ 10 Vdc
35 mA @ 12 Vac	15 mA @ 12 Vdc
46 mA @ 24 Vac	18 mA @ 24 Vdc
55 mA @ 30 Vac	20 mA @ 30 Vdc
28 mA @ 120 Vac (RIBMU1S)	
39 mA @ 208-277 Vac (RIBMH1S)	

Notes:

- » Order Normally Closed by adding "-NC" to end of model number
- » Order with Momentary Override Switch by adding "-MNO" to end of model number

Notes