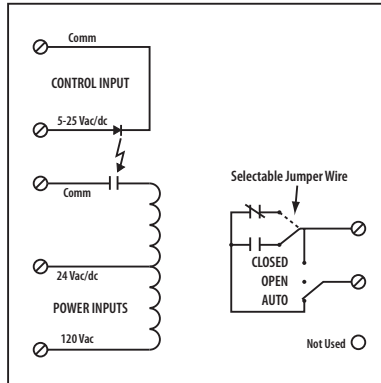


## Low Coil Input Relays

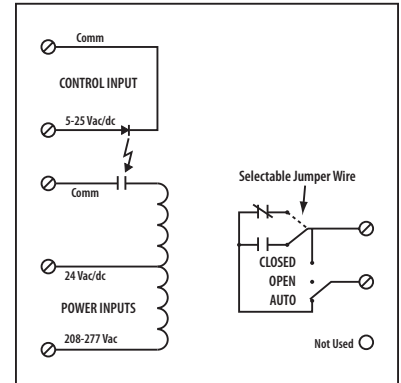
### RIBME2401SB

4.00" Track Mount Relay 20 Amp SPST + Override,  
 24 Vac/dc/**120 Vac Power** + 5-25 Vac/dc Control  
 Input



### RIBME2402SB

4.00" Track Mount Relay 20 Amp SPST + Override,  
 24 Vac/dc/**208-277 Vac Power** + 5-25 Vac/dc  
 Control Input



## SPECIFICATIONS

**Power Input:** 24 Vac/dc/120 Vac, 50-60 Hz  
**Control Input:** 5-25 Vac/dc, 50-60 Hz  
**# Relays & Contact Type:** One (1) SPST Continuous Duty Coil  
**Expected Relay Life:** 10 million cycles minimum mechanical  
**Operating Temperature:** -30 to 140° F  
**Operate Time:** 18ms  
**Relay Status:** LED On = Activated  
**Dimensions:** 2.550" x 4.000" x 1.750"  
**Track Mount:** 4.000"; See MT4 Series on page 134  
**MT4 Mounting Track Sold Separately**  
**Approvals:** UL Listed, UL916, UL864, C-UL  
 California State Fire Marshal, CE, RoHS  
**Gold Flash:** No  
**Override Switch:** Yes

**Contact Ratings:**  
 20 Amp Resistive @ 277 Vac  
 1110 VA Pilot Duty @ 277 Vac  
 770 VA Pilot Duty @ 120 Vac  
 20 Amp Ballast N/O @ 277 Vac  
 10 Amp Ballast N/C @ 277 Vac  
 10 Amp Tungsten N/O @ 120 Vac  
 240 Watt Tungsten N/C @ 120 Vac  
 2 HP @ 277 Vac  
 1 HP @ 120 Vac

**Control Input Ratings:**  
 .4 mA @ 5 Vdc      2 mA @ 24 Vdc  
 .9 mA @ 10 Vdc    3 mA @ 24 Vdc  
 1 mA @ 12 Vdc      (Non Polarized)

**Power Input Ratings:**  
 50 mA @ 18 Vac                      33 mA @ 22 Vdc  
 83 mA @ 24 Vac                      35 mA @ 24 Vdc  
 47 mA @ 120 Vac (RIBME2401SB)    47 mA @ 30 Vdc  
 69 mA @ 208-277 Vac (RIBME2402SB)

**Notes:**  
 » Normally Open or Normally Closed selected by yellow jumper wire  
 » Order with Momentary Override Switch by adding "-MNO" to end of model number

## Notes