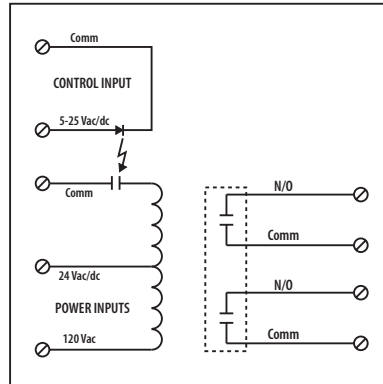


## Low Coil Input Relays

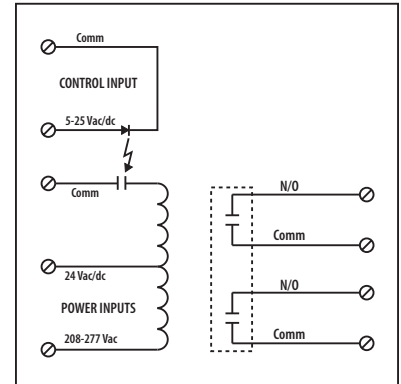
### RIBME2401P

4.00" Track Mount Relay 20 Amp DPST,  
 24 Vac/dc/120 Vac Power + 5-25 Vac/dc  
 Control Input



### RIBME2402P

4.00" Track Mount Relay 20 Amp DPST,  
 24 Vac/dc/208-277 Vac Power + 5-25 Vac/dc  
 Control Input



## ■ SPECIFICATIONS

**Power Input:** 24 Vac/dc/120 Vac, 50-60 Hz  
**Control Input:** 5-25 Vac/dc, 50-60 Hz  
**# Relays & Contact Type:** One (1) DPST Continuous Duty Coil  
**Expected Relay Life:** 10 million cycles minimum mechanical  
**Operating Temperature:** -30 to 140° F  
**Operate Time:** 18ms  
**Relay Status:** LED On = Activated  
**Dimensions:** 3.100" x 4.000" x 2.750"  
**Track Mount:** 4.000"; See MT4 Series on page 134  
**MT4 Mounting Track Sold Separately**  
**Approvals:** UL Listed, UL916, UL864, C-UL  
 California State Fire Marshal, CE, RoHS  
**Gold Flash:** Yes  
**Override Switch:** No

**Contact Ratings:**  
 20 Amp Resistive @ 300 Vac  
 20 Amp Resistive @ 28 Vdc, 15 Vdc  
 20 Amp Ballast @ 277-480 Vac  
 15 Amp Resistive @ 600 Vac  
 770 VA Pilot Duty @ 120 Vac  
 1158 VA Pilot Duty @ 240 Vac  
 1110 VA Pilot Duty @ 277 Vac  
 1640 VA Pilot Duty @ 480 Vac  
 3 HP @ 480-600 Vac  
 2 HP @ 240-277 Vac  
 1 HP @ 120 Vac

**Power Input Ratings:**  
 138 mA @ 24 Vac  
 105 mA @ 120 Vac (RIBME2401P)  
 105 mA @ 208-277 Vac (RIBME2402P)  
 77 mA @ 30 Vdc

**Control Input Ratings:**  
 .4 mA @ 5 Vdc  
 .9 mA @ 10 Vdc  
 1 mA @ 12 Vdc  
 2 mA @ 24 Vdc  
 3 mA @ 24 Vdc  
 (Non Polarized)

## Notes