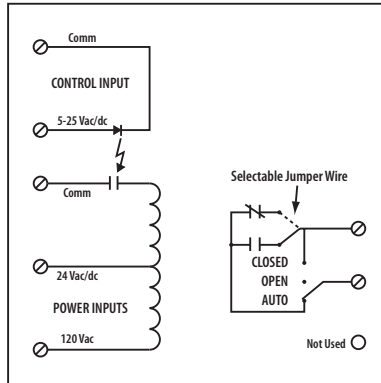


Low Coil Input Relays

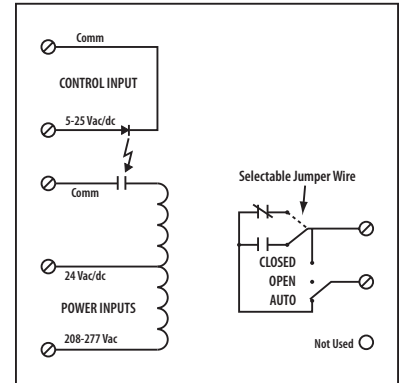
RIBME2401SB

4.00" Track Mount Relay 20 Amp SPST + Override,
 24 Vac/dc/**120 Vac Power** + 5-25 Vac/dc Control
 Input



RIBME2402SB

4.00" Track Mount Relay 20 Amp SPST + Override,
 24 Vac/dc/**208-277 Vac Power** + 5-25 Vac/dc
 Control Input



SPECIFICATIONS

Power Input: 24 Vac/dc/120 Vac, 50-60 Hz
Control Input: 5-25 Vac/dc, 50-60 Hz
Relays & Contact Type: One (1) SPST Continuous Duty Coil
Expected Relay Life: 10 million cycles minimum mechanical
Operating Temperature: -30 to 140° F
Operate Time: 18ms
Relay Status: LED On = Activated
Dimensions: 2.550" x 4.000" x 1.750"
Track Mount: 4.000"; See MT4 Series on page 134
MT4 Mounting Track Sold Separately
Approvals: UL Listed, UL916, UL864, C-UL
 California State Fire Marshal, CE, RoHS
Gold Flash: No
Override Switch: Yes

Contact Ratings:
 20 Amp Resistive @ 277 Vac
 1110 VA Pilot Duty @ 277 Vac
 770 VA Pilot Duty @ 120 Vac
 20 Amp Ballast N/O @ 277 Vac
 10 Amp Ballast N/C @ 277 Vac
 10 Amp Tungsten N/O @ 120 Vac
 240 Watt Tungsten N/C @ 120 Vac
 2 HP @ 277 Vac
 1 HP @ 120 Vac

Control Input Ratings:
 .4 mA @ 5 Vdc 2 mA @ 24 Vdc
 .9 mA @ 10 Vdc 3 mA @ 24 Vdc
 1 mA @ 12 Vdc (Non Polarized)

Power Input Ratings:
 50 mA @ 18 Vac 33 mA @ 22 Vdc
 83 mA @ 24 Vac 35 mA @ 24 Vdc
 47 mA @ 120 Vac (RIBME2401SB) 47 mA @ 30 Vdc
 69 mA @ 208-277 Vac (RIBME2402SB)

Notes:
 » Normally Open or Normally Closed selected by yellow jumper wire
 » Order with Momentary Override Switch by adding "-MNO" to end of model number

Notes