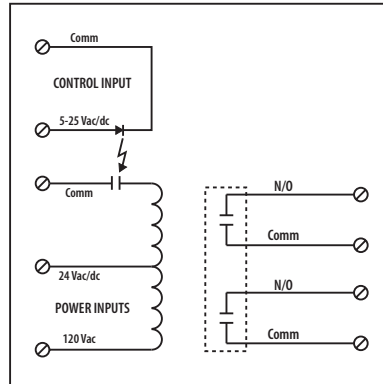


Low Coil Input Relays

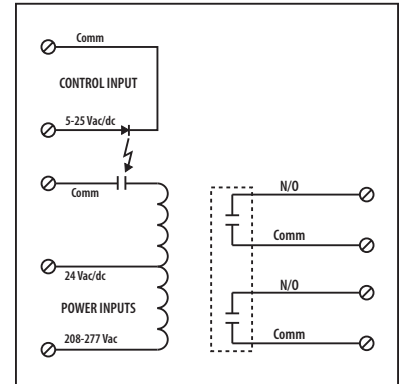
RIBME2401P

4.00" Track Mount Relay 20 Amp DPST,
 24 Vac/dc/120 Vac Power + 5-25 Vac/dc
 Control Input



RIBME2402P

4.00" Track Mount Relay 20 Amp DPST,
 24 Vac/dc/208-277 Vac Power + 5-25 Vac/dc
 Control Input



■ SPECIFICATIONS

Power Input: 24 Vac/dc/120 Vac, 50-60 Hz
Control Input: 5-25 Vac/dc, 50-60 Hz
Relays & Contact Type: One (1) DPST Continuous Duty Coil
Expected Relay Life: 10 million cycles minimum mechanical
Operating Temperature: -30 to 140° F
Operate Time: 18ms
Relay Status: LED On = Activated
Dimensions: 3.100" x 4.000" x 2.750"
Track Mount: 4.000"; See MT4 Series on page 134
MT4 Mounting Track Sold Separately
Approvals: UL Listed, UL916, UL864, C-UL
 California State Fire Marshal, CE, RoHS
Gold Flash: Yes
Override Switch: No

Contact Ratings:
 20 Amp Resistive @ 300 Vac
 20 Amp Resistive @ 28 Vdc, 15 Vdc
 20 Amp Ballast @ 277-480 Vac
 15 Amp Resistive @ 600 Vac
 770 VA Pilot Duty @ 120 Vac
 1158 VA Pilot Duty @ 240 Vac
 1110 VA Pilot Duty @ 277 Vac
 1640 VA Pilot Duty @ 480 Vac
 3 HP @ 480-600 Vac
 2 HP @ 240-277 Vac
 1 HP @ 120 Vac

Power Input Ratings:
 138 mA @ 24 Vac
 105 mA @ 120 Vac (RIBME2401P)
 105 mA @ 208-277 Vac (RIBME2402P)
 77 mA @ 30 Vdc

Control Input Ratings:
 .4 mA @ 5 Vdc
 .9 mA @ 10 Vdc
 1 mA @ 12 Vdc
 2 mA @ 24 Vdc
 3 mA @ 24 Vdc
 (Non Polarized)

Notes