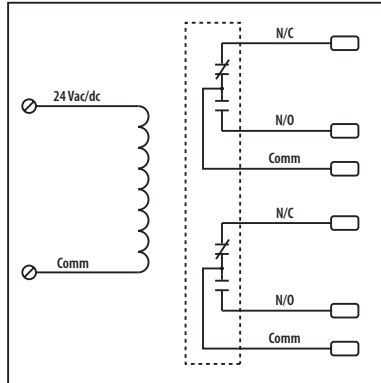




30 Amp Power Control Relay

RIBM24ZN

4.00" Track Mount Relay 30 Amp DPDT with 24 Vac/dc Coil



■ SPECIFICATIONS

Relays & Contact Type: One (1) DPDT Continuous Duty Coil
Expected Relay Life: 10 million cycles minimum mechanical
Operating Temperature: -30 to 140° F
Operate Time: 18mS
Relay Status: LED On = Activated
Dimensions: 1.600" x 4.000" x 1.750"
Track Mount: 4.000". See MT4 Series on page 134
MT4 Mounting Track Sold Separately
Approvals: UL Component Recognized, UL916
 C-UL, California State Fire Marshal, CE, RoHS
Gold Flash: Yes
Override Switch: No

Contact Ratings:
 30 Amp Resistive @ 300 Vac
 25 Amp Resistive @ 28 Vdc
 15 Amp Resistive @ 600 Vac
 20 Amp Ballast @ 277-480 Vac
 3 HP @ 480-600 Vac
 2 HP @ 240/277 Vac
 1 HP @ 120 Vac
 NEMA B600 Pilot Duty

Coil Current:
 110 mA @ 20 Vac
 125 mA @ 24 Vac
 55 mA @ 20 Vdc
 55 mA @ 24 Vdc
 70 mA @ 30 Vdc

Coil Voltage Input:
 24 Vac/dc ; 50-60 Hz
 Drop Out = 3 Vac / 3.8 Vdc
 Pull In = 20 Vac / 20 Vdc

Notes