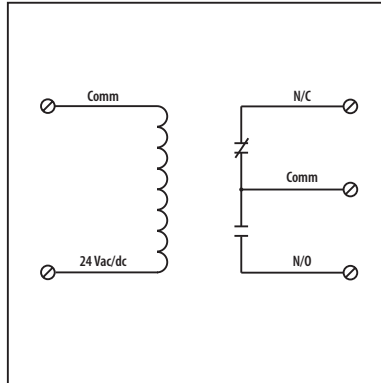


15 Amp Pilot Control Relays

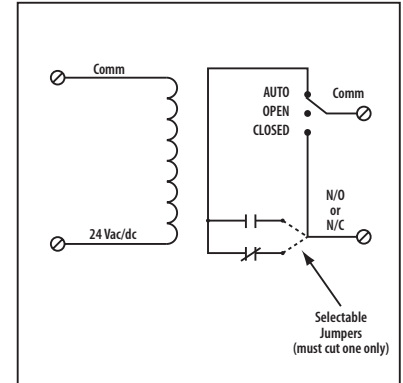
RIBM24C

4.00" Track Mount Relay 15 Amp **SPDT** with 4 Vac/dc Coil



RIBM24S

4.00" Track Mount Relay 15 Amp **SPST + Override** with 24 Vac/dc Coil



■ SPECIFICATIONS

Relays & Contact Type: One (1) SPDT Continuous Duty Coil (RIBM24C)
 One (1) SPST Continuous Duty Coil (RIBM24S)
Expected Relay Life: 10 million cycles minimum mechanical
Operating Temperature: -30 to 140° F
Operate Time: 6mS
Relay Status: LED On = Activated
Dimensions: 1.250" x 4.000" x 1.750"
Track Mount: 4.000", See MT4 Series on page 134
MT4 Mounting Track Sold Separately
Approvals: UL Listed, UL916, UL864, C-UL
 California State Fire Marshal, CE, RoHS
Gold Flash: No
Override Switch: No (RIBM24C)
 Yes (RIBM24S)

Contact Ratings:

15 Amp General Use @ 125 Vac
 10 Amp General Use @ 277 Vac
 10 Amp Resistive @ 30 Vdc N/C
 7 Amp Resistive @ 30 Vdc N/O
 1/2 HP @ 125 Vac
 1 HP @ 250 Vac
 1/4 HP @ 277 Vac
 C300 Pilot Duty

Coil Current:

26 mA @ 20 Vac
 31 mA @ 24 Vac
 48 mA @ 35 Vac
 14 mA @ 20 Vdc
 18 mA @ 24 Vdc
 28 mA @ 35 Vdc

Coil Voltage Input:

24 Vac/dc ; 50-60 Hz
 Drop Out = 3 Vac / 3.8 Vdc
 Pull In = 20 Vac / 20 Vdc

Notes:

- » Must cut appropriate jumper to select Normally Open or Normally Closed (RIBM24S)
- » Order with Momentary Override Switch by adding "-MNO" to end of model number (RIBM24S)

Notes