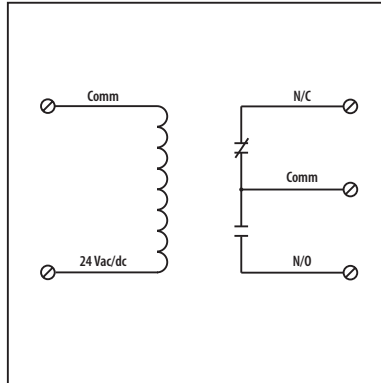


## 15 Amp Pilot Control Relays

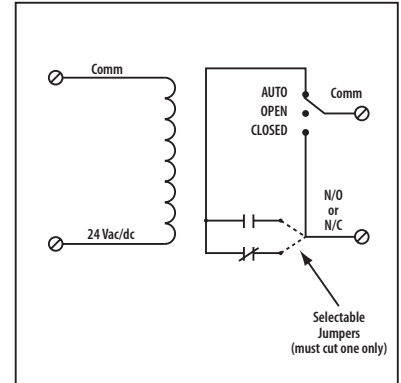
### RIBM24C

4.00" Track Mount Relay 15 Amp **SPDT** with 4 Vac/dc Coil



### RIBM24S

4.00" Track Mount Relay 15 Amp **SPST + Override** with 24 Vac/dc Coil



### SPECIFICATIONS

- # Relays & Contact Type: One (1) SPDT Continuous Duty Coil (RIBM24C)  
 One (1) SPST Continuous Duty Coil (RIBM24S)
- Expected Relay Life: 10 million cycles minimum mechanical
- Operating Temperature: -30 to 140° F
- Operate Time: 6mS
- Relay Status: LED On = Activated
- Dimensions: 1.250" x 4.000" x 1.750"
- Track Mount: 4.000", See MT4 Series on page 134  
**MT4 Mounting Track Sold Separately**
- Approvals: UL Listed, UL916, UL864, C-UL  
 California State Fire Marshal, CE, RoHS
- Gold Flash: No
- Override Switch: No (RIBM24C)  
 Yes (RIBM24S)

#### Contact Ratings:

- 15 Amp General Use @ 125 Vac
- 10 Amp General Use @ 277 Vac
- 10 Amp Resistive @ 30 Vdc N/C
- 7 Amp Resistive @ 30 Vdc N/O
- 1/2 HP @ 125 Vac
- 1 HP @ 250 Vac
- 1/4 HP @ 277 Vac
- C300 Pilot Duty

#### Coil Current:

- 26 mA @ 20 Vac
- 31 mA @ 24 Vac
- 48 mA @ 35 Vac
- 14 mA @ 20 Vdc
- 18 mA @ 24 Vdc
- 28 mA @ 35 Vdc

#### Coil Voltage Input:

- 24 Vac/dc ; 50-60 Hz
- Drop Out = 3 Vac / 3.8 Vdc
- Pull In = 20 Vac / 20 Vdc

#### Notes:

- » Must cut appropriate jumper to select Normally Open or Normally Closed (RIBM24S)
- » Order with Momentary Override Switch by adding "-MNO" to end of model number (RIBM24S)

### Notes