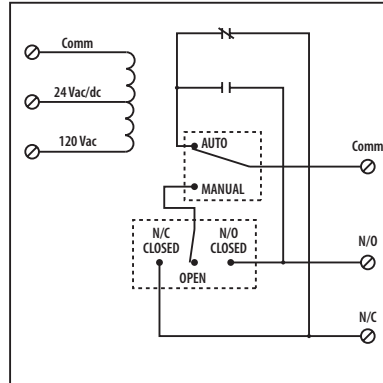


## 20 Amp Power Control Relays

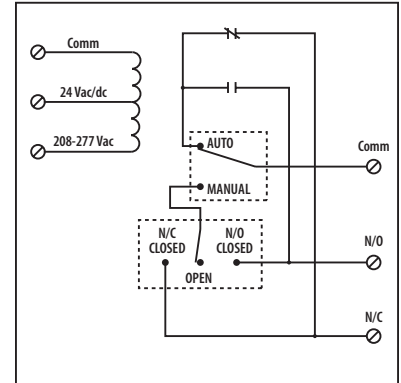
### RIBM2401SBC

4.00" Track Mount Relay 20 Amp SPDT + Override with 24 Vac/dc/120 Vac Coil



### RIBM2402SBC

4.00" Track Mount Relay 20 Amp SPDT + Override with 24 Vac/dc/208-277 Vac Coil



### SPECIFICATIONS

# Relays & Contact Type: One (1) SPDT Continuous Duty Coil  
 Expected Relay Life: 10 million cycles minimum mechanical  
 Operating Temperature: -30 to 140° F  
 Operate Time: 18mS  
 Relay Status: LED On = Activated  
 Dimensions: 2.350" x 4.000" x 1.750"  
 Track Mount: 4.000". See MT4 Series on page 134  
**MT4 Mounting Track Sold Separately**  
 Approvals: UL Listed, UL916, UL864, C-UL  
 California State Fire Marshal, CE, RoHS  
 Gold Flash: No  
 Override Switch: Yes (2)

**Contact Ratings:**  
 20 Amp Resistive @ 277 Vac  
 20 Amp Ballast N/O @ 277 Vac  
 10 Amp Ballast N/C @ 277 Vac  
 10 Amp Tungsten N/O @ 120 Vac  
 1110 VA Pilot Duty @ 277 Vac  
 770 VA Pilot Duty @ 120 Vac  
 2 HP @ 277 Vac  
 1 HP @ 120 Vac

**Coil Current:**  
 50 mA @ 18 Vac  
 83 mA @ 24 Vac  
 47 mA @ 120 Vac (RIBM2401SBC)  
 69 mA @ 208-277 Vac (RIBM2402SBC)  
 33 mA @ 22 Vdc  
 35 mA @ 24 Vdc  
 47 mA @ 30 Vdc

**Coil Voltage Input:**  
 24 Vac/dc ; 120 Vac ; 50-60 Hz (RIBM2401SBC)  
 24 Vac/dc ; 208-277 Vac ; 50-60 Hz (RIBM2402SBC)  
 Drop Out = 2.1 Vac / 3.8 Vdc  
 Pull In = 18 Vac / 22 Vdc

### Notes