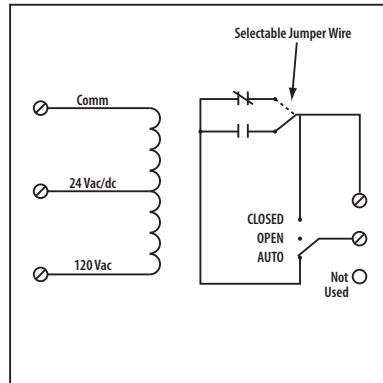




## 20 Amp Power Control Relays

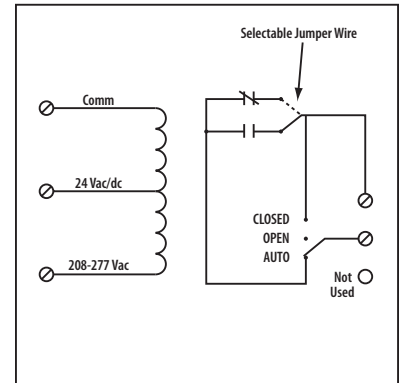
### RIBM2401SB

4.00" Track Mount Relay 20 Amp SPST + Override with 24 Vac/dc/120 Vac Coil



### RIBM2402SB

4.00" Track Mount Relay 20 Amp SPST + Override with 24 Vac/dc/208-277 Vac Coil



#### ■ SPECIFICATIONS

**# Relays & Contact Type:** One (1) SPST Continuous Duty Coil  
**Expected Relay Life:** 10 million cycles minimum mechanical  
**Operating Temperature:** -30 to 140° F  
**Operate Time:** 18mS  
**Relay Status:** LED On = Activated  
**Dimensions:** 1.600" x 4.000" x 1.750"  
**Track Mount:** 4.000"; See MT4 Series on page 134  
**Approvals:** UL Listed, UL916, UL864, C-UL  
 California State Fire Marshal, CE, RoHS  
**Gold Flash:** No  
**Override Switch:** Yes

**Contact Ratings:**  
 20 Amp Resistive @ 277 Vac  
 20 Amp Ballast N/O @ 277 Vac  
 10 Amp Ballast N/C @ 277 Vac  
 10 Amp Tungsten N/O @ 120 Vac  
 1110 VA Pilot Duty @ 277 Vac  
 770 VA Pilot Duty @ 120 Vac  
 2 HP @ 277 Vac  
 1 HP @ 120 Vac

**Coil Voltage Input:**  
 24 Vac/dc ; 120 Vac ; 50-60 Hz (RIBM2401SB)  
 24 Vac/dc ; 208-277 Vac ; 50-60 Hz (RIBM2402SB)  
 Drop Out = 2.1 Vac / 3.8 Vdc  
 Pull In = 18 Vac / 22 Vdc

**Coil Current:**  
 50 mA @ 18 Vac  
 83 mA @ 24 Vac  
 47 mA @ 120 Vac (RIBM2401SB)  
 69 mA @ 208-277 Vac (RIBM2402SB)  
 33 mA @ 22 Vdc  
 35 mA @ 24 Vdc  
 47 mA @ 30 Vdc

**Notes:**  
 » Normally Open or Normally Closed selected by yellow jumper wire  
 » Order with Momentary Override Switch by adding "-MNO" to end of model number

#### Notes